

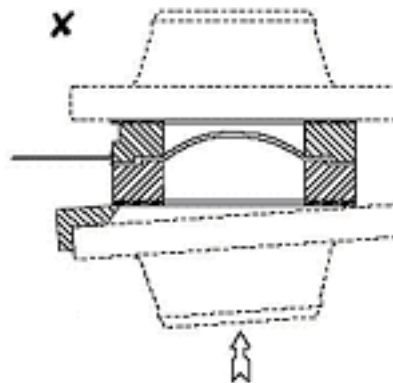
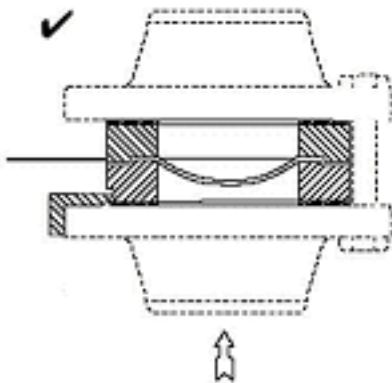
System Loc



System-Loc ensures correct orientation of bursting disc holders. It comprises a robust stainless steel elbow bracket mounted on the inlet mating flange by means of a shear bolt.

The bursting disc holder inlet has a section machined from its diameter to correspond with the elbow. If the holder is installed incorrectly a seal cannot be achieved.

- Foolproof
- Robust
- Easy installation
- Dedicated holder installations



System-Loc holder features are offered as standard with Elfab's Opti-Gard™, Multi-Gard, Omni-Gard, Uni-Gard and Bladed Reverse, which along with their unique bursting disc tag arrangement (not applicable to Bladed Reverse), render the direction of their installation foolproof.

Two or more System-Loc's can be combined to dedicate a bursting disc holder to a particular location.

Pressure Intelligence

The data shown on these sheets represents the standard offering from Elfab. Depending upon the requirements of your application, Elfab maybe able to provide a solution based on this product but outside the standard operating parameters. In addition, Elfab produces an extensive range of alternative products which maybe more suitable for your requirements.

As a result of extensive testing, Elfab can advise on these choices, or on other technical matters, such as discharge requirements, temperature testing, material selection and corrosion resistance, customised designs and burst detection.

To discuss your specific product or service requirements please contact your Elfab representative.



© 2004 Elfab Ltd.

