

Item No	Drawing Number	Description	Qty
1	04/07/08077 SH.2	260 x 220 Expression Panel (With Integral Panel Fastener Detention)	1
2	04/07/08077 SH.2	260 x 220 - Outer Frame	1
3	04/07/08077 SH.1	260 x 220 - Angle Intra Frame	1
4	M10 x 30 Hex Hd Screw (Customer Supply)		8
5	M10 Washer (Customer Supply)		12
6	M10 Full Nut (Customer Supply)		8
7	M10 x 16 Spc Hd Cap Screw		2

ATEX approved  
No change permitted without  
consent to the Safety Manager

The Dusting Panel Frame Forms One Part of a  
Protective System Under the Direction of the  
Manufacturer. It is not to be used for any other  
purpose. The Manufacturer's Instructions for  
Brazing Panel Components (With SO supplied  
Examination Certificate Number R3202A/TEXT1189  
To Comply With The Directive It is Essential That The  
Internal Dimensions and Sections of The Frame,  
Panel and Fasteners are as shown. Failure to do so will  
Invalidate Certification.

ISSUE	DESCRIPTION	DATE	BY	CHK	APP'D
0	ORIGINAL ISSUE	21/05/10	AM	CE	BM

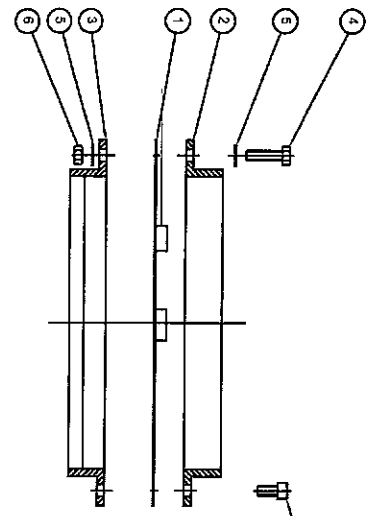
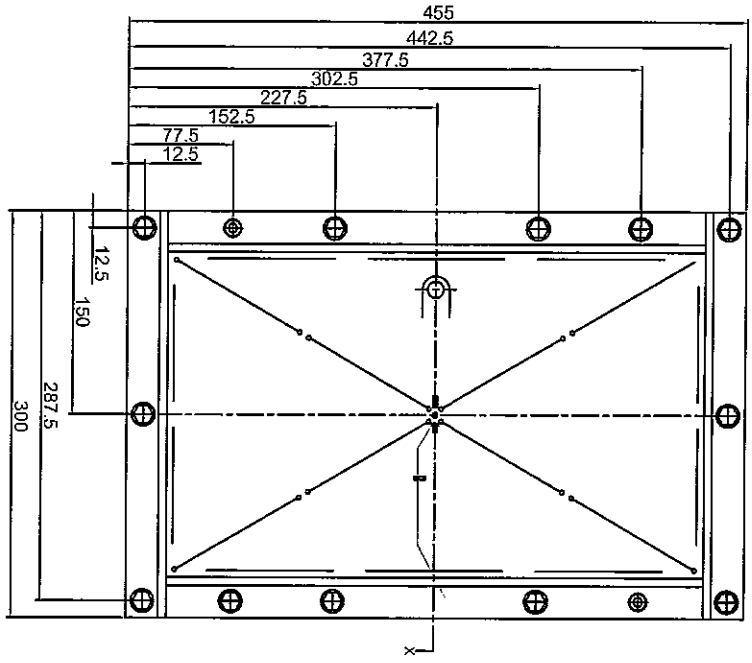


ALDER ROAD,  
NORTH SHIELDS, TYNE & WEAR,  
NE29 8SD, ENGLAND.  
TEL: +44 (0) 191 293 1234  
FAX: +44 (0) 191 293 1200  
WEBSITE: WWW.ELFAB.COM

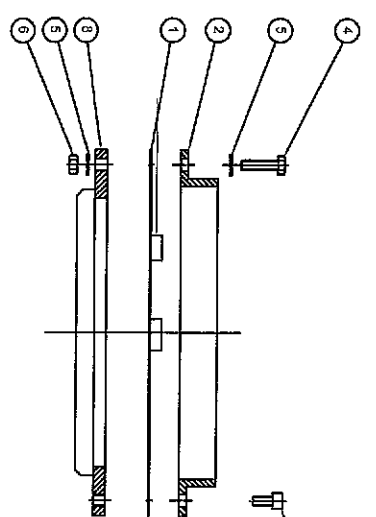
TITLE  
**260x220 Ext 180x140 Int Flat  
Rectangular Panel - GENERAL  
ARRANGEMENT**

THIS DRAWING IS THE PROPERTY OF ELFAB LTD., IT  
MUST NOT BE USED FOR ANY PURPOSE OTHER THAN  
THAT FOR WHICH IT WAS SUPPLIED, NOR  
REPRODUCED, NOR SUPPLIED TO A THIRD PARTY  
WITHOUT WRITTEN PERMISSION OF THE OWNER

DIMENSIONS IN mm UNLESS STATED OTHERWISE DRAWN TO BS308 DO NOT SCALE! IF IN DOUBT ASK		GENERAL TOLERANCING XXX = ±0.25 AND ±0.25° XXX.X = ±0.1 AND ±0.1° XXX.XX = ±0.05 AND ±0.05°	
DRAWN BY	AM	DRAWN DATE	21/05/10
CHECKED BY	CE	CHECKED DATE	21/05/10
APPROVED BY	BM	APPROVED DATE	21/05/10
DRAWING NUMBER		04/07/08077 SHT1	



Sectional View on X-X  
Standard Arrangement  
- Angle / Angle Frame



Sectional View on X-X  
Optional Arrangement  
- Angle / Flat Frame

Item No.	Drawing Number	Description	Qty
1	04/07/08078 SH1 2	455 x 300 Explosion Panel (With Integral Panel Flic-Tel Detection)	1
2	04/07/08181 SH1 2	455 x 300 Outlet Frame	1
3	04/07/08181 SH1 1	455 x 300 Angle Inlet Frame (Std)	1
4		M8 x 30 Hex Hd Screw (Customer Supply)	12
5		M8 Flatwasher (Customer Supply)	24
6		M8 Full Nut (Customer Supply)	12
7		M8 x 16 Soc Hd Cap Screw	2
8	04/07/08181 SH1 3	455 x 300 Flat Inlet Frame (Option)	1

**ATEX approved**  
No change permitted without  
reference to the Quality Manager

The Bursting Panel Frame Forms One Part Of A Protective System Under The Directive 94/9/EC (ATEX) When Used With An Elfab Supplied Bursting Panel Compliant With EC Type Examination Certification Number IT909A.TEX11389

To Comply With The Directive It Is Essential That The Internal Dimensions And Sections Of The Frame, And Bolting Details Are Adhered To, Failure To Do So Will Invalidate Certification.

ISSUE	DESCRIPTION	DATE	CHK	APP
0	04/07/080405 RE DRAWN	15/03/10	AM	CE



ALDER ROAD,  
NORTH SHIELDS, TYNE & WEAR,  
NE29 8SD, ENGLAND,  
TEL: +44 (0) 191 293 1234  
FAX: +44 (0) 191 293 1200  
WEBSITE: WWW.ELFAB.COM

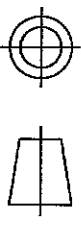
**455 x 300 Explosion Panel**  
General Arrangement

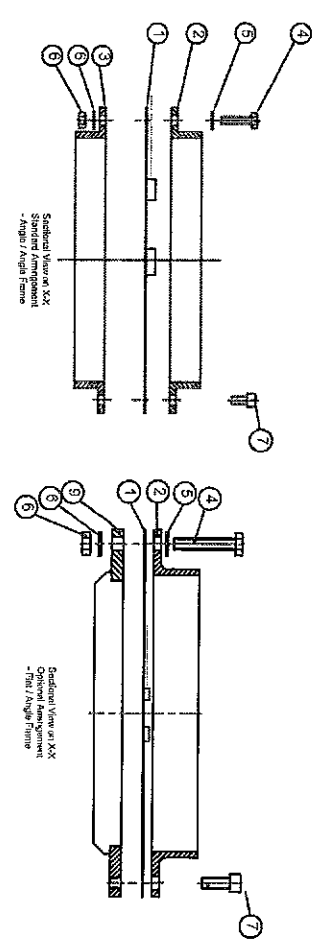
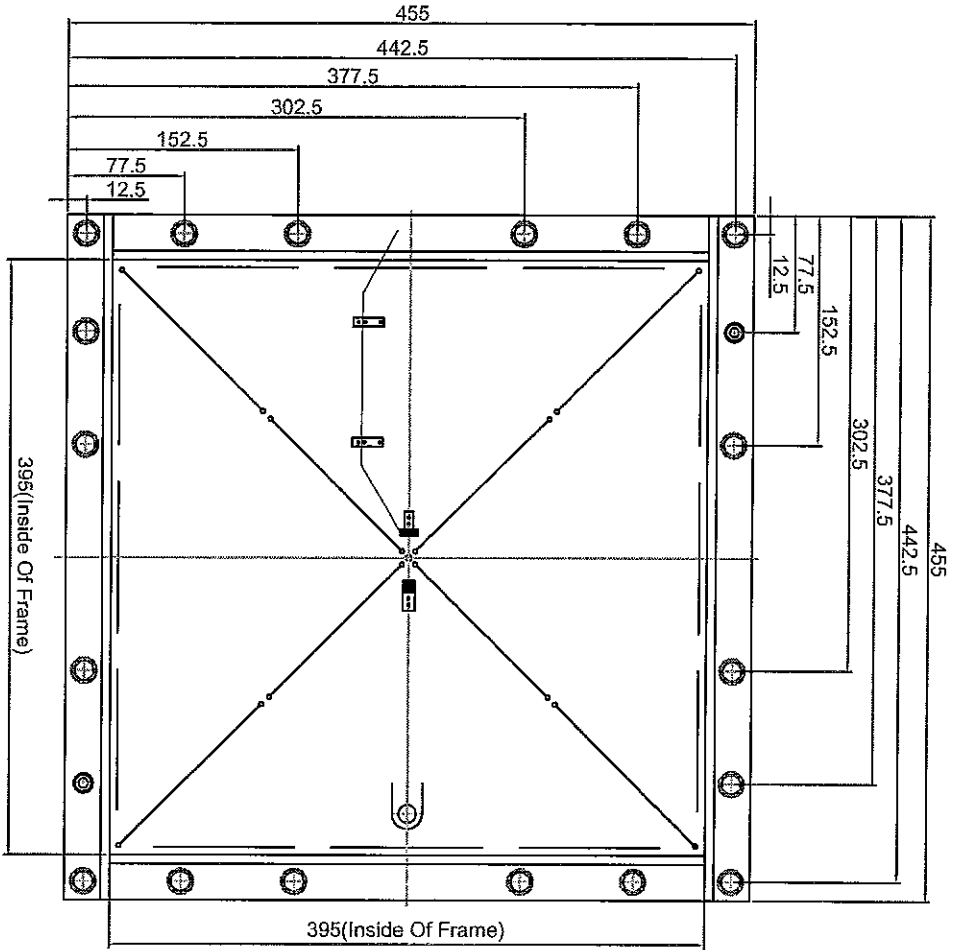
TITLE

DIMENSIONS IN mm UNLESS OTHERWISE STATED  
DO NOT SCALE  
DRAWN TO BS 308  
© 2004

THIS DRAWING IS THE PROPERTY OF ELFAB LTD. IT MUST NOT BE USED FOR ANY PURPOSE OTHER THAN THAT FOR WHICH IT WAS SUPPLIED, NOR REPRODUCED, NOR SUPPLIED TO A THIRD PARTY WITHOUT WRITTEN PERMISSION OF THE OWNER

GEN. TOL.	SCALE	CHECKED	DATE
±0.25mm	1:1	AM	15/03/10
		APPROVED	DATE
		BM	15/03/10
		CHECKED	DATE
		CE	15/03/10
		SUPERSEDED BY	
		DRG. No.	04/07/08078 SH1 1





Item No.	Drawing Number	Description	Qty
1	04/07/08079 SH1 2	455 x 455 Explosion Panel (with Integral Panel Fix-Kit Included)	1
2	04/07/08079 SH1 2	455 x 455 Gasket Frame	1
3	04/07/08079 SH1 1	455 x 455 Angles Inset Frame	4
4	04/07/08079 SH1 1	155 x 30 Hex Hd Screw (Customer Supply)	18
5	04/07/08079 SH1 1	105 Flatwasher (Customer Supply)	32
6	04/07/08079 SH1 1	105 Flat Washer (Customer Supply)	18
7	04/07/08079 SH1 1	155 x 16 Spacer Hd Cap Screw	2
8	04/07/08079 SH1 1	455 x 455 Flat Inset Frame (Optional)	1

**ATIS Approved**  
Approved by the Authority without reference to the Quality Manager

The Bursting Panel Form Only Part of a Proprietary System Under the Design of BSIC 4/02/07/08079 SH1 1. This drawing is a Bursting Panel Component with BS Type Examination Certificate Number TRO04/TK1410.

To Comply with This Drawing it is Essential that the Internal Dimensions and Spacing of the Frame, and Detailing Details are Adhered To. Failure to do so will invalidate Certification.

MANUFACTURING NOTES:  
1. WIND IMPULSION BARS ARE RECOMMENDED.

ISSUE	DESCRIPTION	DATE	CHK	APP
0	ORIGINAL ISSUE	21/05/10	AM	CE



ALDER ROAD,  
NORTH SHIELDS, TYNE & WEAR,  
NE29 8SD, ENGLAND.  
TEL: +44 (0) 191 233 1234  
FAX: +44 (0) 191 233 1200  
WEBSITE: WWW.ELFAB.COM

**TITLE**  
455 x 455 Ext 395 x 395 Int  
Bursting Panel - General Arrangement

**GEN. TOL.** ±0.25mm

**SCALE** 1:1

**DRAWN** AM      **DATE** 21/05/10  
**APPROVED** BM      **DATE** 21/05/10

**CHECKED** CE      **DATE** 21/05/10  
**SIMILAR TO**

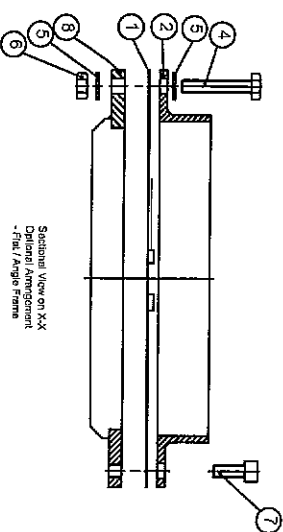
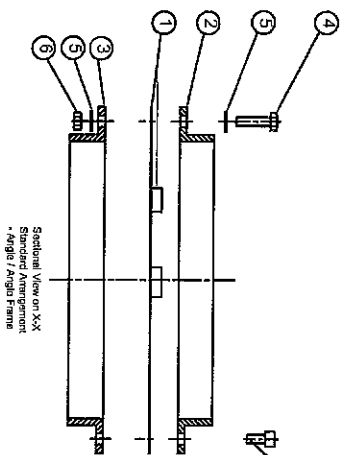
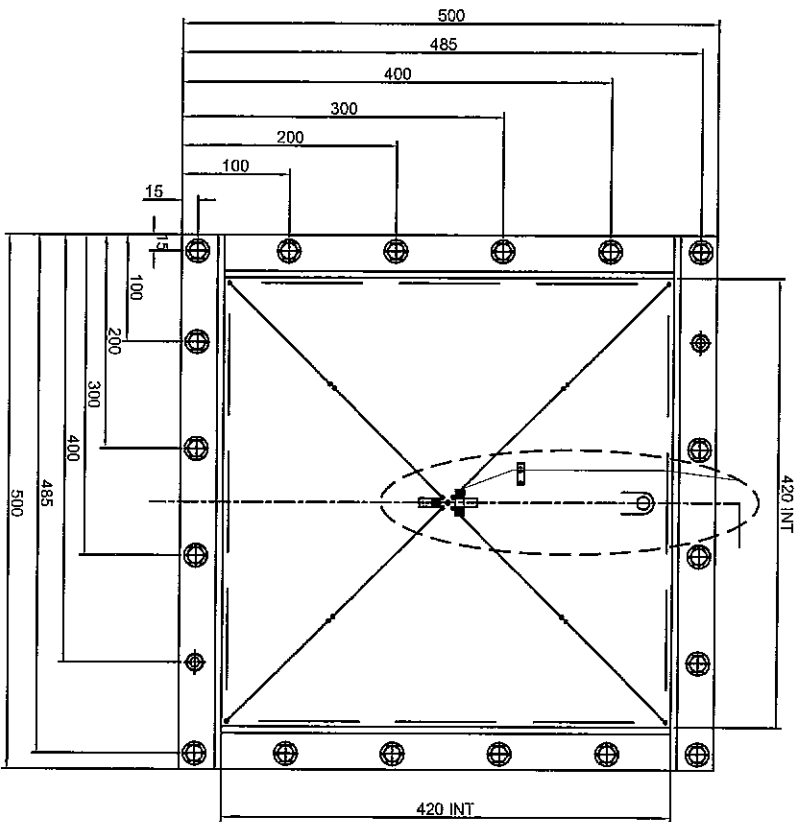
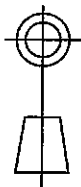
**SUPERSEDES**      **SUPERSEDED BY**

**DRG. No.** 04/07/08079 SH1 1

**©2004**

**DIMENSIONS IN mm UNLESS OTHERWISE STATED**  
**DO NOT SCALE**      **DRAWN TO BS 308**

**THIS DRAWING IS THE PROPERTY OF ELFAB LTD. IT MUST NOT BE USED FOR ANY PURPOSE OTHER THAN THAT FOR WHICH IT WAS SUPPLIED, NOR REPRODUCED, NOR SUPPLIED TO A THIRD PARTY WITHOUT WRITTEN PERMISSION OF THE OWNER**



Item No	Drawing Number	Description	Qty
1	04/07/08080 SHT 2	500 x 500 Explosion Panel (With Integral Panel Fix-Tail Detail)	1
2	04/07/08183 SHT 2	500 x 500 Outer Frame	1
3	04/07/08183 SHT 1	500 x 500 Angle Inlet Frame	1
4		M10 x 30 Hex Hd Screw (Customer Supply)	18
5		M10 Flat Nut (Customer Supply)	32
6		M10 x 16 Spc For Cap Screw	18
7			2
8	04/07/08183 SHT 3	500 x 500 Flat Inlet Frame (Optional)	1

ATEX approved  
No change permitted without  
reference to the Quality Manager

The Bursting Panel Frame Form One part of a Protective System Under The Directive Subject to ATEX When Used With An Eligible Supplier of the Panel. For Further Information See Examination Certificate Number 1750ATX11399 To Comply With The Directive it is Essential That the Internal Dimensions And Sections Of The Frame, and Sealing Details Are Adhered To, Failure To Do So Will Inevitably Constitute

ISSUE	DESCRIPTION	DATE	BY	CHK	APP'D
0	ORIGINAL ISSUE	21/05/10	AM	CE	BM



ALDER ROAD,  
NORTH SHIELDS, TYNE & WEAR,  
NE29 8SD, ENGLAND.  
TEL: +44 (0) 191 293 1234  
FAX: +44 (0) 191 293 1200  
WEBSITE: WWW.ELFAB.COM

TITLE  
**500x500 Ext 420x420 Int Flat Panel -  
GENERAL ARRANGEMENT**

THIS DRAWING IS THE PROPERTY OF ELFAB LTD., IT  
MUST NOT BE USED FOR ANY PURPOSE OTHER THAN  
THAT FOR WHICH IT WAS SUPPLIED, NOR  
REPRODUCED, NOR SUPPLIED TO A THIRD PARTY  
WITHOUT WRITTEN PERMISSION OF THE OWNER

DIMENSIONS IN mm UNLESS  
STATED OTHERWISE  
DRAWN TO BS308  
DO NOT SCALE:  
IF IN DOUBT ASK

DRAWN BY AM  
CHECKED BY CE

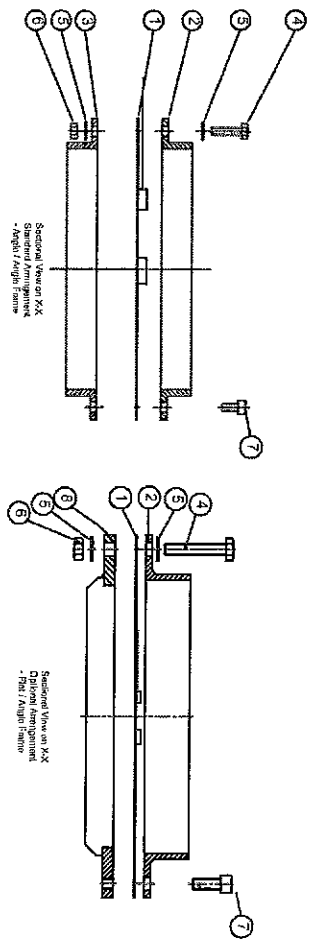
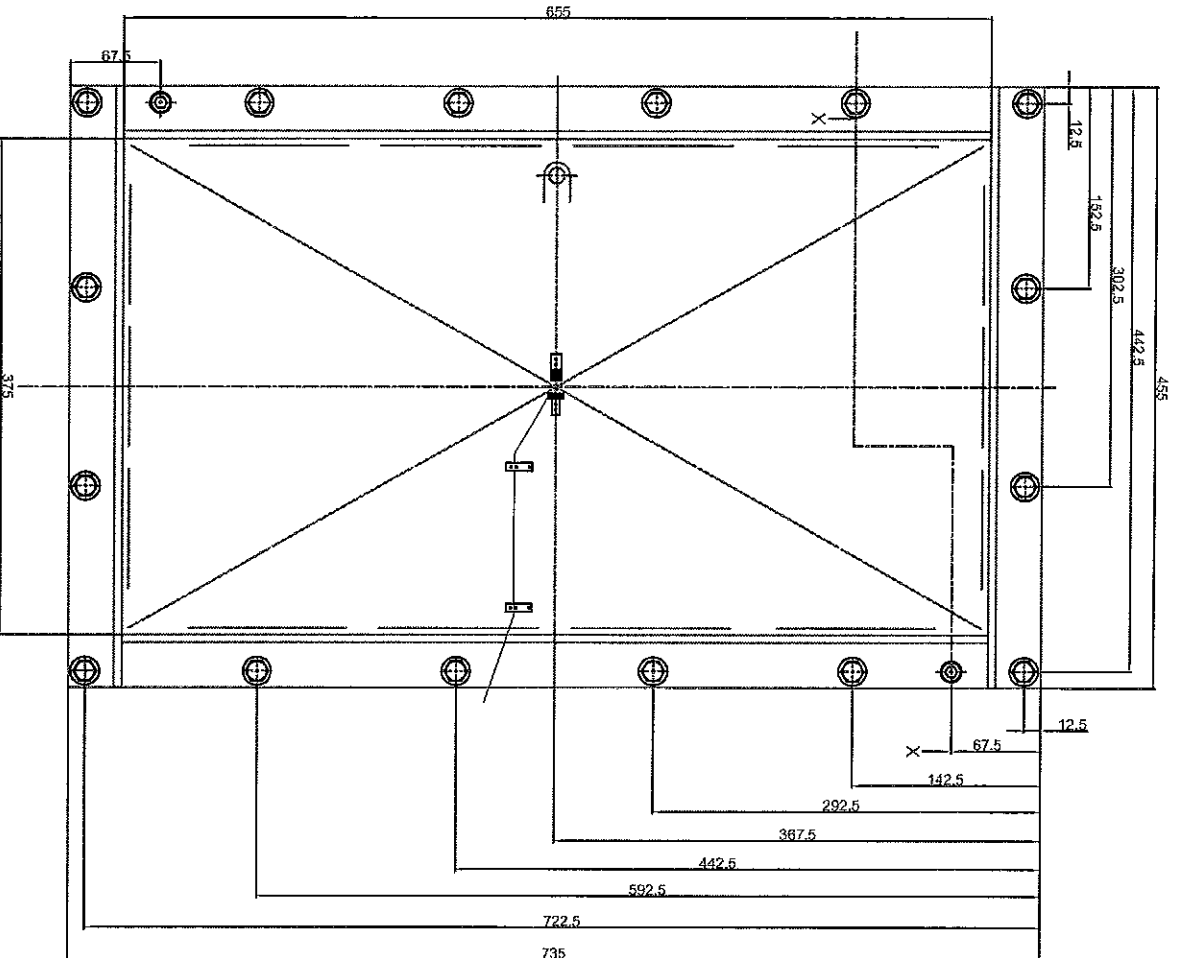
APPROVED BY BM

DRAWING NUMBER  
**04/07/08080 SHT1**

GENERAL TOLERANCING  
XXX = ±0.25 AND ±0.25°  
XXX.X = ±0.1 AND ±0.1°  
XXX.XX = ±0.05 AND ±0.05°

DRAWN DATE 21/05/10  
CHECKED DATE 21/05/10

APPROVED DATE 21/05/10



Item No	Drawing Number	Description	Qty
1	04/07/08081 Sht 2	735 x 455 Explosion Panel (With Integral Panel Flat-Tail Decalation)	1
2	04/07/08184 Sht 2	735 x 455 Outlet Frame	1
3	04/07/08184 Sht 1	M10 x 30 Hex Inlet Frame	16
4	_____	M10 x 30 Hex Hid Screw(Customer Supply)	32
5	_____	M10 Flatwasher(Customer Supply)	16
6	_____	M10 Flat Nut(Customer Supply)	16
7	_____	M10 x 16 Sec HD Cap Screw	2
8	04/07/08184 Sht 3	735 x 455 Flat Inlet Frame (Optional)	1

The Bursting Panel Frame Forms One Part Of A Protective System Under The Direction of AIEC (ATEX) When Used With An Elfab Supplied Bursting Panel Compliant With EC Type Examination Certification Number IT503ATEX11359

To Comply With The Directive It Is Essential That The Internal Dimensions And Sections Of The Frame, And Bolting Details Are Adhered To. Failure To Do So Will Invalidate Certification.

**ATEX approved**  
No change permitted without reference to the Quality Manager

REV	DATE	DESCRIPTION	PREP	CHK
0	18/03/10	ISSUE FOR SHIT 1 AND DRAWING	MARK	MARK

NON FLAMMABLE, TYPICAL ATEX, IEC, EN 1839, EN 1839-2, EN 1839-3, EN 1839-4, EN 1839-5, EN 1839-6, EN 1839-7, EN 1839-8, EN 1839-9, EN 1839-10, EN 1839-11, EN 1839-12, EN 1839-13, EN 1839-14, EN 1839-15, EN 1839-16, EN 1839-17, EN 1839-18, EN 1839-19, EN 1839-20, EN 1839-21, EN 1839-22, EN 1839-23, EN 1839-24, EN 1839-25, EN 1839-26, EN 1839-27, EN 1839-28, EN 1839-29, EN 1839-30, EN 1839-31, EN 1839-32, EN 1839-33, EN 1839-34, EN 1839-35, EN 1839-36, EN 1839-37, EN 1839-38, EN 1839-39, EN 1839-40, EN 1839-41, EN 1839-42, EN 1839-43, EN 1839-44, EN 1839-45, EN 1839-46, EN 1839-47, EN 1839-48, EN 1839-49, EN 1839-50, EN 1839-51, EN 1839-52, EN 1839-53, EN 1839-54, EN 1839-55, EN 1839-56, EN 1839-57, EN 1839-58, EN 1839-59, EN 1839-60, EN 1839-61, EN 1839-62, EN 1839-63, EN 1839-64, EN 1839-65, EN 1839-66, EN 1839-67, EN 1839-68, EN 1839-69, EN 1839-70, EN 1839-71, EN 1839-72, EN 1839-73, EN 1839-74, EN 1839-75, EN 1839-76, EN 1839-77, EN 1839-78, EN 1839-79, EN 1839-80, EN 1839-81, EN 1839-82, EN 1839-83, EN 1839-84, EN 1839-85, EN 1839-86, EN 1839-87, EN 1839-88, EN 1839-89, EN 1839-90, EN 1839-91, EN 1839-92, EN 1839-93, EN 1839-94, EN 1839-95, EN 1839-96, EN 1839-97, EN 1839-98, EN 1839-99, EN 1839-100

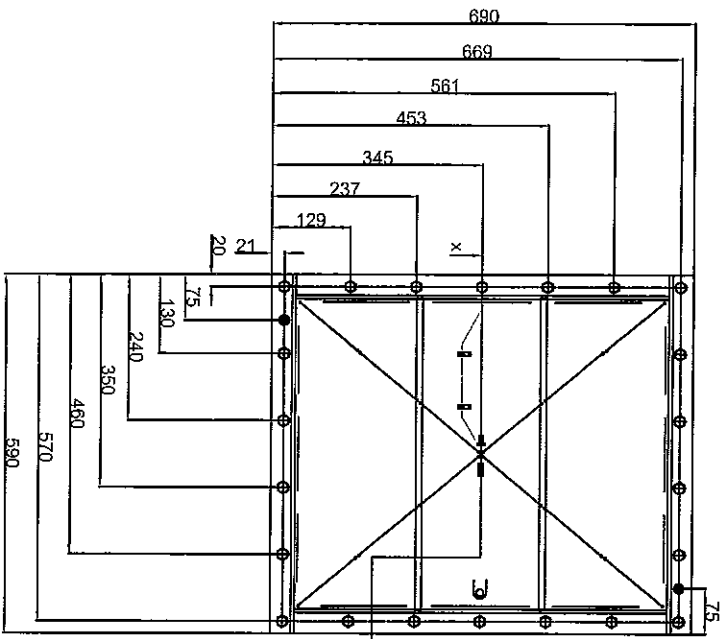
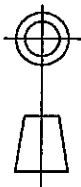
**elfab**

735 x 455 Explosion Panel  
General Arrangement

SCALE: 1:1

DATE: 18/03/10

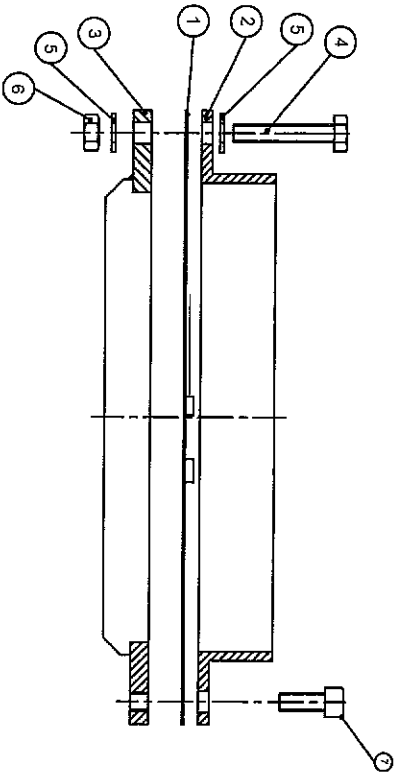
04/07/08081 SHT 1



The Bursting Panel Frame Forms One Part Of A Protective System Under The Directive 94/9/EC (ATEX) When Used With An Elfab Supplied Bursting Panel Compliant With EC Type Examination Certification Number ITSC03ATEX11359

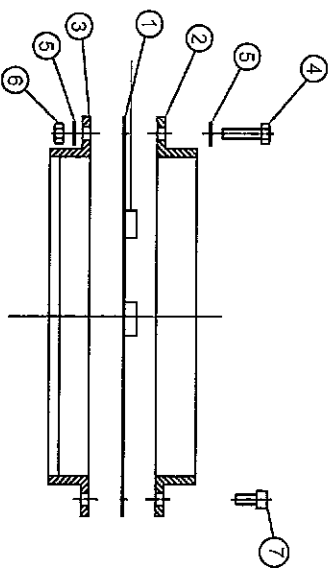
To Comply With The Directive It Is Essential That The Internal Dimensions And Sections Of The Frame, And Bolting Details Are Adhered To. Failure To Do So Will Invalidate Certification.

Sectional View on X-X  
Standard Arrangement  
- Angle / Flat Frame



Item No	Drawing Number	Description	Qty
1	04/07/08082 Sht: 2	690 x 590 Explosion Panel (With Integral Panel Flg-Tel Detection)	1
2	04/07/08185 Sht: 2	690 x 590 Outlet Frame	1
3	04/07/08185 Sht: 3	690 x 590 Inlet Flat Frame CW Support Bars	1
4		M10 x 30 Hex Hd Screw (Customer Supply)	22
5		M10 Flatwasher (Customer Supply)	44
6		M10 Full Nut (Customer Supply)	22
7		M10 x 16 Soc Hd Cap Screw	2

Sectional View on X-X  
Standard Arrangement  
- Angle / Angle Frame



Item No	Drawing Number	Description	Qty
1	04/07/08082 Sht: 2	690 x 590 Explosion Panel (With Integral Panel Flg-Tel Detection)	1
2	04/07/08185 Sht: 2	690 x 590 Outlet Frame	1
3	04/07/08185 Sht: 1	690 x 590 Inlet Angle Frame CW Support Bars	1
4		M10 x 30 Hex Hd Screw (Customer Supply)	22
5		M10 Flatwasher (Customer Supply)	44
6		M10 Full Nut (Customer Supply)	22
7		M10 x 16 Soc Hd Cap Screw	2

- NOTES:
1. MATERIAL: CARBON OR STAINLESS STEEL.
  2. WIND IMPLSION BARS ARE RECOMMENDED.
  3. DIMENSIONS THE SAME ON OPPOSITE SIDES
  4. CLEARANCE HOLES FOR M10 FASTENERS TO BE Ø12mm

ISSUE	DESCRIPTION	DATE	BY	CHK	APPD
0	04/07/06439 SHT 1 RE DRAWN	15/03/10	AM	CE	BM



ALDER ROAD,  
NORTH SHIELDS, TYNE & WEAR,  
NE29 8SD, ENGLAND.  
TEL: +44 (0) 191 293 1234  
FAX: +44 (0) 191 293 1200  
WEBSITE: WWW.ELFAB.COM

TITLE  
690 x 590 Ext 610 x 510 Int PANEL  
WITH FRAMES - GENERAL  
ARRANGEMENT

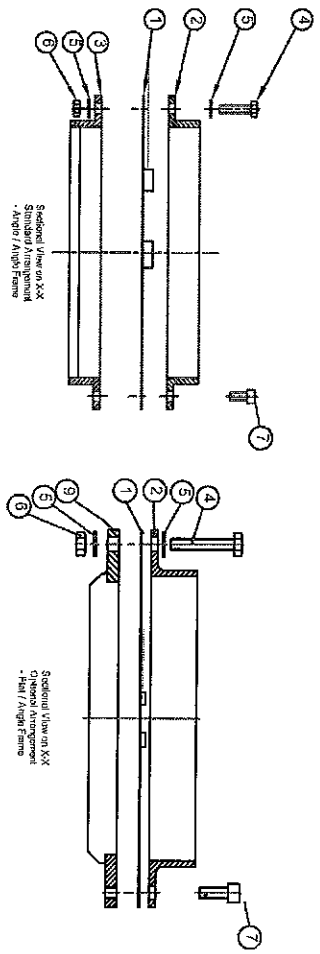
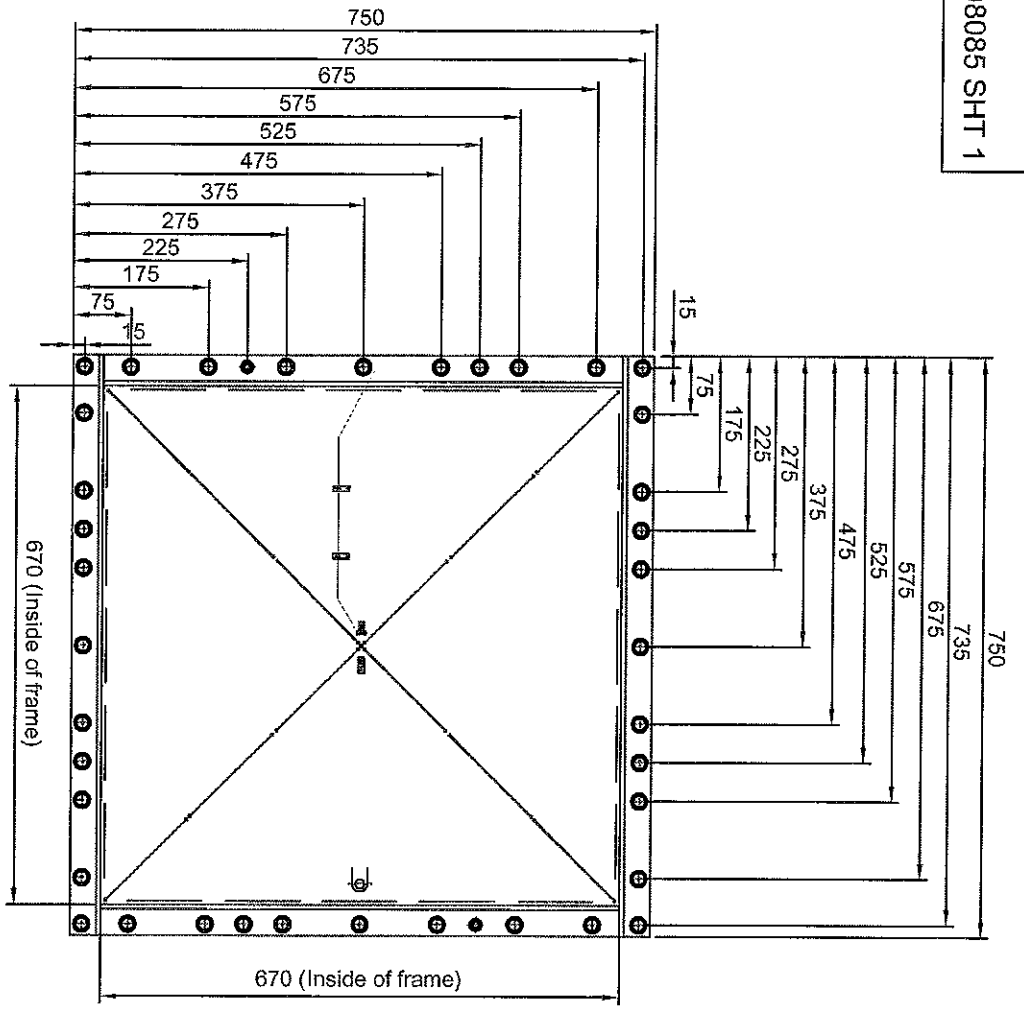
THIS DRAWING IS THE PROPERTY OF ELFAB LTD., IT MUST NOT BE USED FOR ANY PURPOSE OTHER THAN THAT FOR WHICH IT WAS SUPPLIED, NOR REPRODUCED, NOR SUPPLIED TO A THIRD PARTY WITHOUT WRITTEN PERMISSION OF THE OWNER

DIMENSIONS IN mm UNLESS STATED OTHERWISE  
DRAWN TO BS308  
DO NOT SCALE!  
IF IN DOUBT ASK

GENERAL TOLERANCING  
XXX = ±0.25 AND ±0.25°  
XXX.X = ±0.1 AND ±0.1°  
XXX.XX = ±0.05 AND ±0.05°

DRAWN BY	AM	DRAWN DATE	15/03/10
CHECKED BY	CE	CHECKED DATE	15/03/10
APPROVED BY	BM	APPROVED DATE	15/03/10
DRAWING NUMBER	04/07/08082 SHT1		





Item No	Drawing Number	Description	QTY
1	04/07/08085 SHT 2	750 x 750 Explosion Panel (With Integral Panel Fix to Protection)	1
2	04/07/08085 SHT 2	750 x 750 Outer Frame	1
3	04/07/08085 SHT 1	750 x 750 Angle Half Frame	1
4	.....	M10 x 30 Hex Hd Screw (Customer Supply)	28
5	.....	M10 Washer (Customer Supply)	28
6	.....	M10 Flat Nut (Customer Supply)	28
7	.....	M10 x 16 Spig Pin (Customer Supply)	2
8	04/07/08085 SHT 3	750 x 750 Inner Panel Frame (Optional)	1

All's approved  
No change permitted without  
reference to the Quality Manager

The Drawing Issued From: Frame One Part of a Protective System Under the Direction of/ECG [ATX] When Used With An EIBS Supplied Burning Panel Conform With ECTVA Explosion Protection Number: F1550A1EX11398 To Conform With The Directive (1) a (European Tn) The Approval Disposition and Section of This Frame, This Drawing is the Property of ELPAB LTD. Failure to do so will Involve Cancellation

ISSUE	DESCRIPTION	DATE	CHK	APP
0	ORIGINAL ISSUE	24/05/10	CE	BM

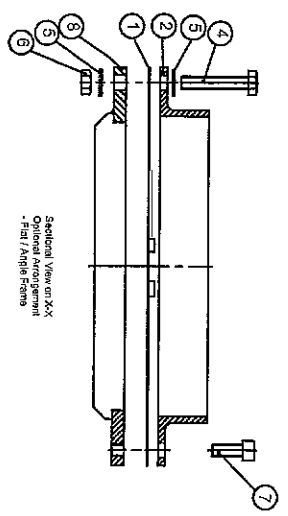
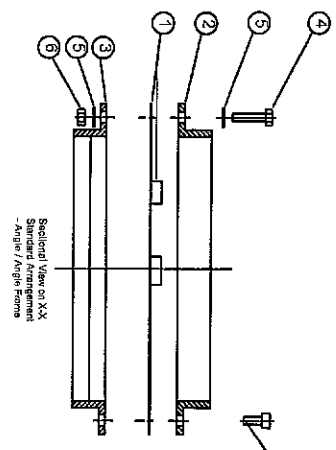
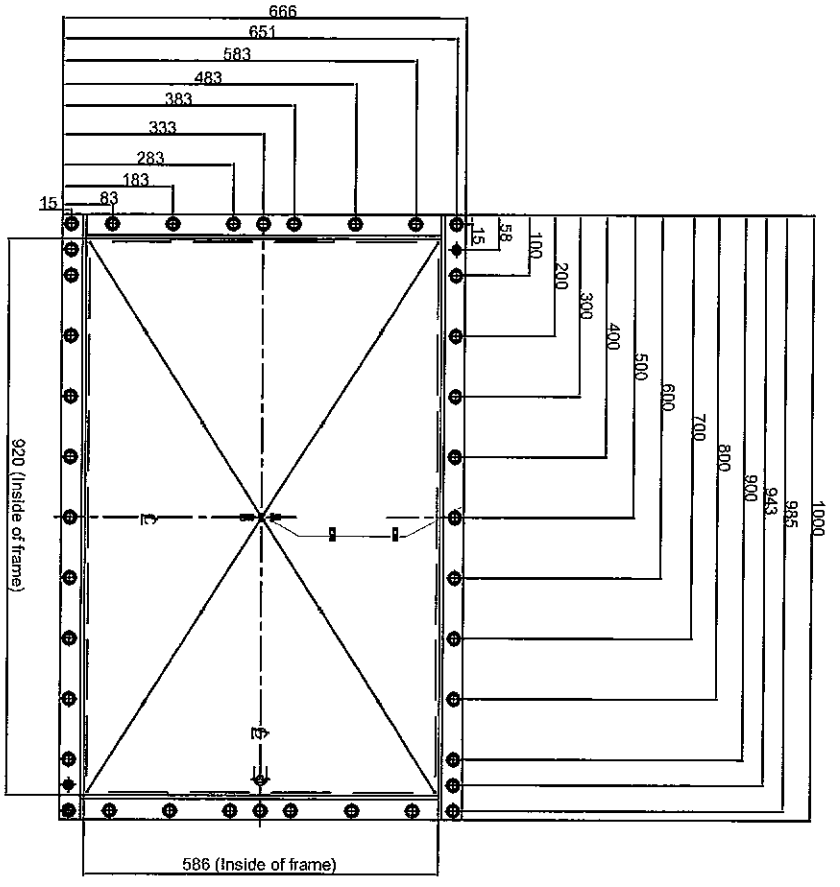


ALDER ROAD,  
NORTH SHIELDS, TYNE & WEAR,  
NE29 8SD, ENGLAND,  
TEL: +44 (0) 191 293 1234  
FAX: +44 (0) 191 293 1200  
WEBSITE: WWW.ELFAB.COM

TITLE  
**750 x 750 EXPLOSION PANEL  
GENERAL ARRANGEMENT**

DIMENSIONS IN mm UNLESS OTHERWISE STATED  
DO NOT SCALE  
DRAWN TO BS 308  
©2004  
THIS DRAWING IS THE PROPERTY OF ELFAB LTD. IT MUST NOT BE USED FOR ANY PURPOSE OTHER THAN THAT FOR WHICH IT WAS SUPPLIED. NOR REPRODUCED, NOR SUPPLIED TO A THIRD PARTY WITHOUT WRITTEN PERMISSION OF THE OWNER

GEN. TOL.	SCALE
±0.25mm	CHECKED BY
DRAWN AM	DATE 24/05/10
APPROVED BM	DATE 24/05/10
SUPERSEDES	SUPERSEDED BY
DRG. No.	04/07/08085 SHT 1



Item No	Drawing Number	Description	Qty
1	04/07/08086 SHT 2	1000 x 666 Explosion Panel (With Integral Perforated Protection)	1
2	04/07/08086 SHT 2	1000 x 666 Outlet Frame	1
3	04/07/08086 SHT 1	1000 x 666 Angle Inlet Frame	1
4		M10 x 30 Hex Hd Screw (Customer Supply)	20
5		M10 Flange Nut (Customer Supply)	20
6		M10 x 16 Spc Hd Cap Screw	2
7		M10 x 666 Flat Inlet Frame (Optional)	2
8	04/07/08086 SHT 3	1000 x 666 Flat Inlet Frame (Optional)	1

**ATEX approved**  
No change permitted without  
reference to the Quality Manager.

The Bursting Panel Frame Form One Part of A  
Protective System Under The Direction of  
(ATEX) When Used With An Elfab Supplied  
Bursting Panel Compliant With EC Type  
Expendable Certification Number TSSATXV1388

To Comply With The Directive it is Essential That The  
Internal Dimensions and Sections Of This Frame,  
And Bolting Details Are Adhered To.  
Failure To Do So Will Invalidate Certification.

ISSUE	DESCRIPTION	DATE	BY	CHK	APPD
0	ORIGINAL ISSUE	21/05/10	AM	CE	BM



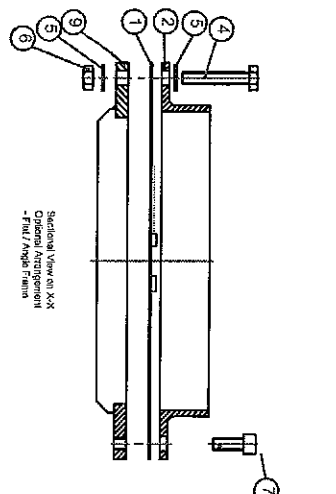
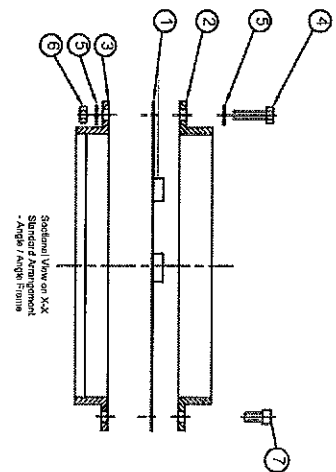
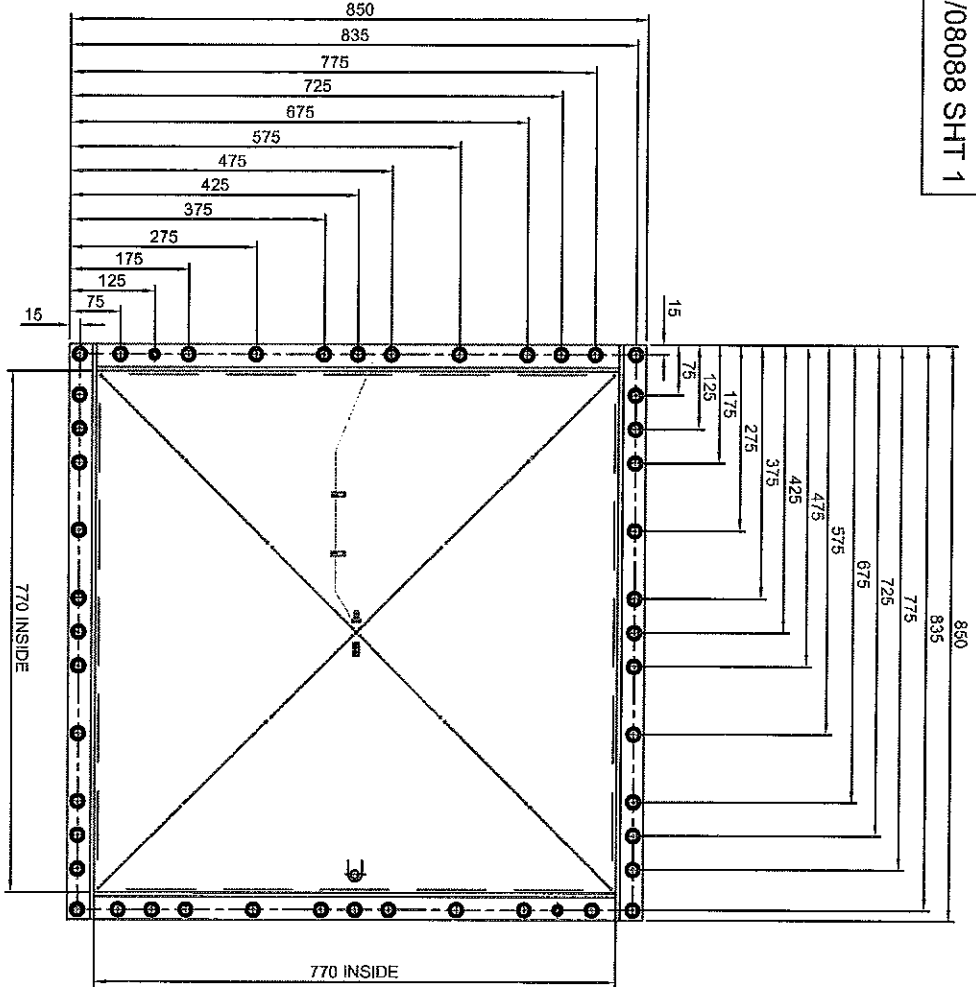
ALDER ROAD,  
NORTH SHIELDS, TYNE & WEAR,  
NE29 8SD, ENGLAND.  
TEL: +44 (0) 191 293 1234  
FAX: +44 (0) 191 293 1200  
WEBSITE: WWW.ELFAB.COM

**TITLE**  
**1000 x 666 EXPLOSION PANEL**  
**GENERAL ARRANGEMENT**

THIS DRAWING IS THE PROPERTY OF ELFAB LTD., IT  
MUST NOT BE USED FOR ANY PURPOSE OTHER THAN  
THAT FOR WHICH IT WAS SUPPLIED, NOR  
REPRODUCED, NOR SUPPLIED TO A THIRD PARTY  
WITHOUT WRITTEN PERMISSION OF THE OWNER

DIMENSIONS IN mm UNLESS STATED OTHERWISE		GENERAL TOLERANCING	
DRAWN BY	AM	DRAWN DATE	21/05/10
CHECKED BY	CE	CHECKED DATE	21/05/10
APPROVED BY	BM	APPROVED DATE	21/05/10
DRAWING NUMBER	04/07/08086 SHT 1		

XXX = ±0.25 AND ±0.25°  
XXX.X = ±0.1 AND ±0.1°  
XXX.XX = ±0.05 AND ±0.05°  
IF IN DOUBT ASK



Item No	Drawing Number	Description	Qty
1	04/0708088 SH1.2	850 x 850 Explosion Panel (With Integral Panel For 1st Detection)	1
2	04/0708088 SH1.2	850 x 850 Outer Frame	1
3	04/0708088 SH1.1	850 x 850 Angle Inlet Frame	1
4		1210 x 30 1st Bar HT Steel (Customer Supply)	48
5		1210 Reinforcing (Customer Supply)	48
6		1210 Flat Nut (Customer Supply)	48
7		1210 Flat Nut (Customer Supply)	48
8	04/0708088 SH1.3	850 x 850 Flat Inlet Frame (Optional)	1

NOT APPROVED FOR CONSTRUCTION WITHOUT PERMISSION OF THE CLIENT MANAGER

The Building Panel Frame Form One Part C/A  
 (ATEX) When Used With ATEX Approved  
 Building Panel Complies With EC Type  
 Examination Certification Number TRS04XV1389  
 To Conform With The Provisions It Is Essential That The  
 Internal Dimensions And Spacing Of The Frame,  
 And Detailing Details Are Adhered To.  
 Failure To Do So Will Involve Certification.

ISSUE	DESCRIPTION	DATE	CHK	APP
0	ORIGINAL ISSUE	21/05/10	CE	BM



ALDER ROAD,  
 NORTH SHIELDS, TYNE & WEAR,  
 NE29 8SD, ENGLAND.  
 TEL: +44 (0) 191 293 1234  
 FAX: +44 (0) 191 293 1200  
 WEBSITE: WWW.ELFAB.COM

**TITLE**  
**850 x 850 EXPLOSION PANEL**  
**General Arrangement**

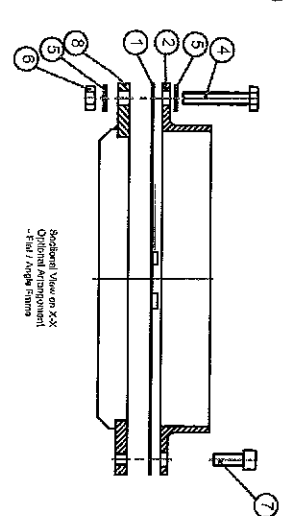
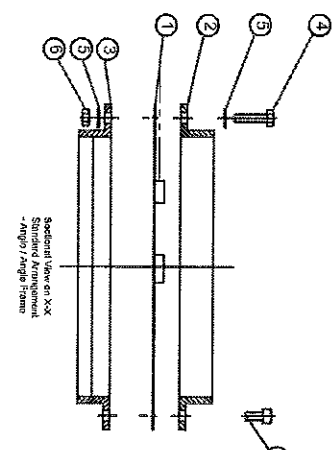
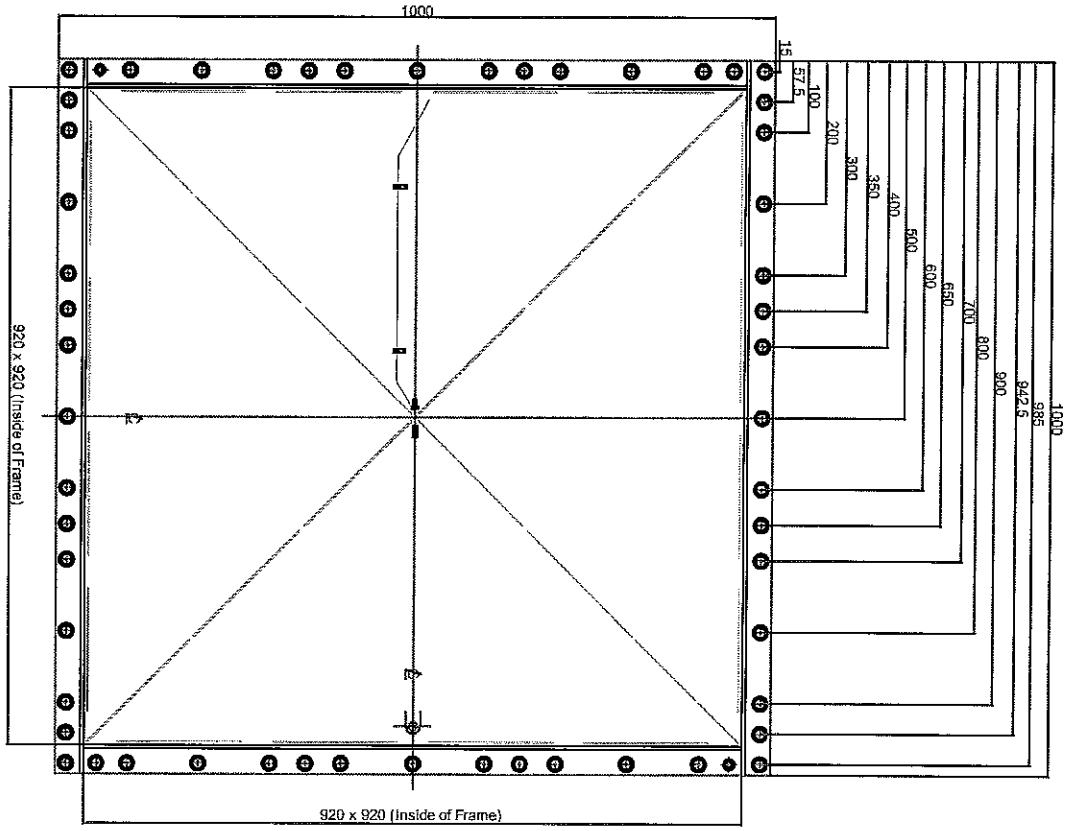
**DIMENSIONS IN mm UNLESS OTHERWISE STATED**  
**DO NOT SCALE**  
**DRAWN TO BS 308**

**GEN. TOL.** ±0.25mm

**SCALE**

<b>DRAWN</b> AM	<b>DATE</b> 21/05/10	<b>CHECKED</b> CE	<b>DATE</b> 21/05/10
<b>APPROVED</b> BM	<b>DATE</b> 21/05/10	<b>SIMILAR TO</b>	
<b>SUPERSEDES</b>		<b>SUPERSEDED BY</b>	

**DRG. No.**  
04/07/08088 SHT 1



Item No	Drawing Number	Description	Qty
1	04/07/08089 SHT 2	1000 x 1000 Explosion Panel (With Integral Panel Fix-It Detection)	1
2	04/07/08192 SHT 2	1000 x 1000 Outer Frame	1
3	04/07/08192 SHT 1	1000 x 1000 Angle Flat Frame	1
4	M10 x 30 Hex Flat Screw (Customer Supply)		53
5	M10 Flat Washer (Customer Supply)		103
6	M10 x 16 Sec Flat Cap Screw		53
7	M10 x 16 Sec Flat Nut (Optional)		2
8	04/07/08192 SHT 3	1000 x 1000 Flat Inset Frame (Optional)	1

**Not approved**  
No change permitted without  
reference to the Quality Manager

The Burning Panel Frame Form One Part of a Protective System Under The Division MUSEC (ATEX) When Used With An Exia Supplied Burning Panel Component With ESD Type Burnishing Certification Number 1150A115311389 To Comply With The Directive It is Essential That The Internal Dimensions And Spacing Of The Frame, Components And Hardware Be As Shown. Failure To Do So Will Invalidate Certification.

ISSUE	DATE	DESCRIPTION	BY
0	24/05/10	ORIGINAL ISSUE	CE, BM
			CHANGED

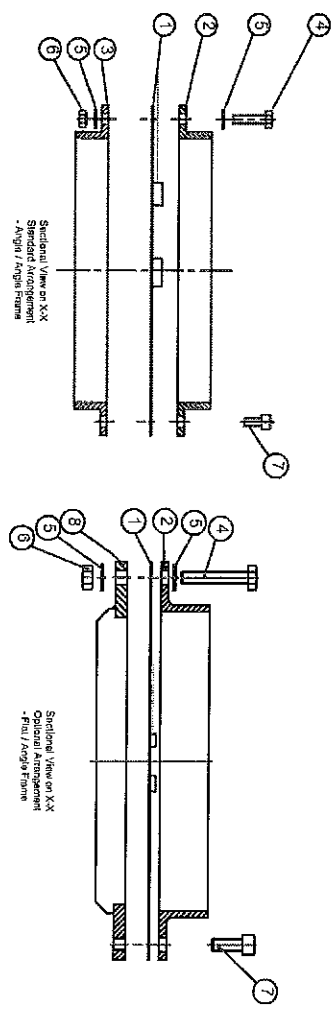
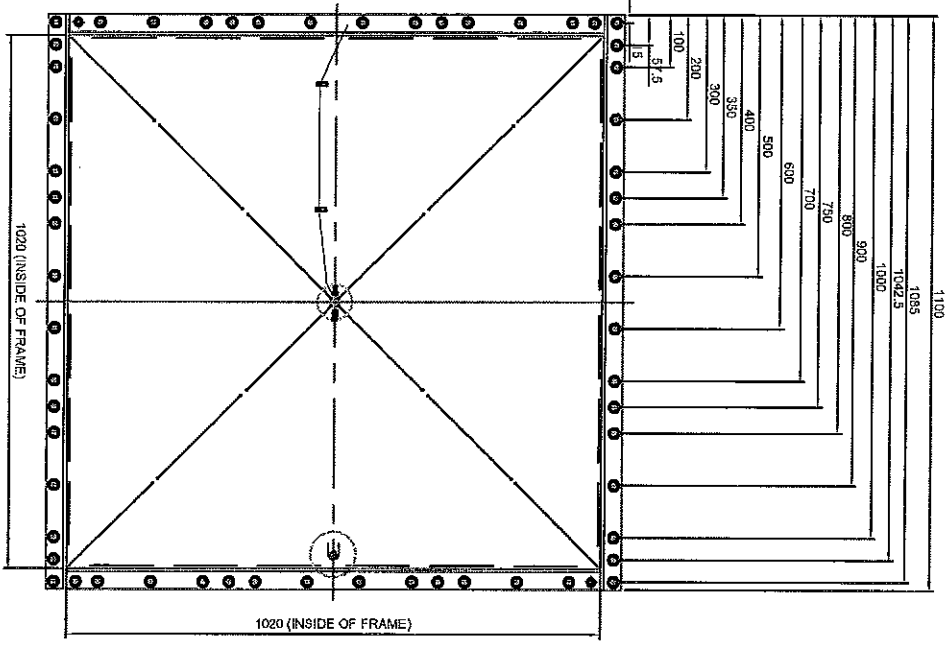
ALFA ITALIA S.p.A.  
NORTH BRITAIN TRADING UNIT  
100, 101, 102, 103, 104, 105, 106, 107, 108, 109, 110, 111, 112, 113, 114, 115, 116, 117, 118, 119, 120, 121, 122, 123, 124, 125, 126, 127, 128, 129, 130, 131, 132, 133, 134, 135, 136, 137, 138, 139, 140, 141, 142, 143, 144, 145, 146, 147, 148, 149, 150, 151, 152, 153, 154, 155, 156, 157, 158, 159, 160, 161, 162, 163, 164, 165, 166, 167, 168, 169, 170, 171, 172, 173, 174, 175, 176, 177, 178, 179, 180, 181, 182, 183, 184, 185, 186, 187, 188, 189, 190, 191, 192, 193, 194, 195, 196, 197, 198, 199, 200, 201, 202, 203, 204, 205, 206, 207, 208, 209, 210, 211, 212, 213, 214, 215, 216, 217, 218, 219, 220, 221, 222, 223, 224, 225, 226, 227, 228, 229, 230, 231, 232, 233, 234, 235, 236, 237, 238, 239, 240, 241, 242, 243, 244, 245, 246, 247, 248, 249, 250, 251, 252, 253, 254, 255, 256, 257, 258, 259, 260, 261, 262, 263, 264, 265, 266, 267, 268, 269, 270, 271, 272, 273, 274, 275, 276, 277, 278, 279, 280, 281, 282, 283, 284, 285, 286, 287, 288, 289, 290, 291, 292, 293, 294, 295, 296, 297, 298, 299, 300, 301, 302, 303, 304, 305, 306, 307, 308, 309, 310, 311, 312, 313, 314, 315, 316, 317, 318, 319, 320, 321, 322, 323, 324, 325, 326, 327, 328, 329, 330, 331, 332, 333, 334, 335, 336, 337, 338, 339, 340, 341, 342, 343, 344, 345, 346, 347, 348, 349, 350, 351, 352, 353, 354, 355, 356, 357, 358, 359, 360, 361, 362, 363, 364, 365, 366, 367, 368, 369, 370, 371, 372, 373, 374, 375, 376, 377, 378, 379, 380, 381, 382, 383, 384, 385, 386, 387, 388, 389, 390, 391, 392, 393, 394, 395, 396, 397, 398, 399, 400, 401, 402, 403, 404, 405, 406, 407, 408, 409, 410, 411, 412, 413, 414, 415, 416, 417, 418, 419, 420, 421, 422, 423, 424, 425, 426, 427, 428, 429, 430, 431, 432, 433, 434, 435, 436, 437, 438, 439, 440, 441, 442, 443, 444, 445, 446, 447, 448, 449, 450, 451, 452, 453, 454, 455, 456, 457, 458, 459, 460, 461, 462, 463, 464, 465, 466, 467, 468, 469, 470, 471, 472, 473, 474, 475, 476, 477, 478, 479, 480, 481, 482, 483, 484, 485, 486, 487, 488, 489, 490, 491, 492, 493, 494, 495, 496, 497, 498, 499, 500, 501, 502, 503, 504, 505, 506, 507, 508, 509, 510, 511, 512, 513, 514, 515, 516, 517, 518, 519, 520, 521, 522, 523, 524, 525, 526, 527, 528, 529, 530, 531, 532, 533, 534, 535, 536, 537, 538, 539, 540, 541, 542, 543, 544, 545, 546, 547, 548, 549, 550, 551, 552, 553, 554, 555, 556, 557, 558, 559, 560, 561, 562, 563, 564, 565, 566, 567, 568, 569, 570, 571, 572, 573, 574, 575, 576, 577, 578, 579, 580, 581, 582, 583, 584, 585, 586, 587, 588, 589, 590, 591, 592, 593, 594, 595, 596, 597, 598, 599, 600, 601, 602, 603, 604, 605, 606, 607, 608, 609, 610, 611, 612, 613, 614, 615, 616, 617, 618, 619, 620, 621, 622, 623, 624, 625, 626, 627, 628, 629, 630, 631, 632, 633, 634, 635, 636, 637, 638, 639, 640, 641, 642, 643, 644, 645, 646, 647, 648, 649, 650, 651, 652, 653, 654, 655, 656, 657, 658, 659, 660, 661, 662, 663, 664, 665, 666, 667, 668, 669, 670, 671, 672, 673, 674, 675, 676, 677, 678, 679, 680, 681, 682, 683, 684, 685, 686, 687, 688, 689, 690, 691, 692, 693, 694, 695, 696, 697, 698, 699, 700, 701, 702, 703, 704, 705, 706, 707, 708, 709, 710, 711, 712, 713, 714, 715, 716, 717, 718, 719, 720, 721, 722, 723, 724, 725, 726, 727, 728, 729, 730, 731, 732, 733, 734, 735, 736, 737, 738, 739, 740, 741, 742, 743, 744, 745, 746, 747, 748, 749, 750, 751, 752, 753, 754, 755, 756, 757, 758, 759, 760, 761, 762, 763, 764, 765, 766, 767, 768, 769, 770, 771, 772, 773, 774, 775, 776, 777, 778, 779, 780, 781, 782, 783, 784, 785, 786, 787, 788, 789, 790, 791, 792, 793, 794, 795, 796, 797, 798, 799, 800, 801, 802, 803, 804, 805, 806, 807, 808, 809, 810, 811, 812, 813, 814, 815, 816, 817, 818, 819, 820, 821, 822, 823, 824, 825, 826, 827, 828, 829, 830, 831, 832, 833, 834, 835, 836, 837, 838, 839, 840, 841, 842, 843, 844, 845, 846, 847, 848, 849, 850, 851, 852, 853, 854, 855, 856, 857, 858, 859, 860, 861, 862, 863, 864, 865, 866, 867, 868, 869, 870, 871, 872, 873, 874, 875, 876, 877, 878, 879, 880, 881, 882, 883, 884, 885, 886, 887, 888, 889, 890, 891, 892, 893, 894, 895, 896, 897, 898, 899, 900, 901, 902, 903, 904, 905, 906, 907, 908, 909, 910, 911, 912, 913, 914, 915, 916, 917, 918, 919, 920, 921, 922, 923, 924, 925, 926, 927, 928, 929, 930, 931, 932, 933, 934, 935, 936, 937, 938, 939, 940, 941, 942, 943, 944, 945, 946, 947, 948, 949, 950, 951, 952, 953, 954, 955, 956, 957, 958, 959, 960, 961, 962, 963, 964, 965, 966, 967, 968, 969, 970, 971, 972, 973, 974, 975, 976, 977, 978, 979, 980, 981, 982, 983, 984, 985, 986, 987, 988, 989, 990, 991, 992, 993, 994, 995, 996, 997, 998, 999, 1000

**1000 x 1000 Explosion General Arrangement**

DATE: 24/05/10  
DRAWN BY: AM  
CHECKED BY: CE  
DATE: 24/05/10  
APPROVED BY: BM  
SUPERSEDED BY: SUPERSEDED BY

SCALE: 1:1

FIG. NO: 04/07/08089 SHT 1



Part No	Drawing Number	Description	Qty
1	04/07/08090 Sht 2	1100 x 1100 Explosion Panel (With Integral Panel Fix) (as Detailed)	1
2	04/07/08193 Sht 2	1100 x 1100 Outer Frame	1
3	04/07/08193 Sht 2	1100 x 1100 Angle Inlet Frame	1
4	04/07/08193 Sht 2	M10 x 30 Hex Hd Screw (Customer Supply)	58
5	04/07/08193 Sht 2	M10 Washers (Customer Supply)	118
6	04/07/08193 Sht 2	M10 Full Nut (Customer Supply)	58
7	04/07/08193 Sht 2	M10 x 16 Sec Hd Cap Screw	2
8	04/07/08193 Sht 3	1100 x 1100 Full Inlet Frame (Optional)	1

ATEX approved  
No change permitted without  
reference to the safety manager

This Bursting Panel Frame Forme Out Part Of A  
Protective System Under The Direction of the  
Competent Authority. It is to be used in  
Bursting Panel Connection With EC  
Examination Certificate Number 1350A1EX1158

To Comply With The Directive It is Essential That The  
Bursting Panel Frame Forme Out Part Of The Frame  
Are Bolted Double And Adhered To  
Failure To Do So Will Involve Certification.

ISSUE	DESCRIPTION	DATE	CHK	APP
0	ORIGINAL ISSUE	24/05/10	CE	BM



ALDERA ROAD,  
NORTH SHIELDS, TYNE & WEAR,  
NE29 8SD, ENGLAND.  
TEL: +44 (0) 191 298 1294  
FAX: +44 (0) 191 298 1200  
WEBSITE: WWW.ELFAB.COM

**TITLE**  
1100 x 1100 EXPLOSION PANEL  
GENERAL ARRANGEMENT

**DIMENSIONS IN mm UNLESS OTHERWISE STATED**  
DRAWN TO BS 308

**GEN. TOL.** ±0.25mm

**SCALE**

**DATE** 24/05/10

**CHECKED** [Signature]

**DATE** 24/05/10

**APPROVED** [Signature]

**DATE** 24/05/10

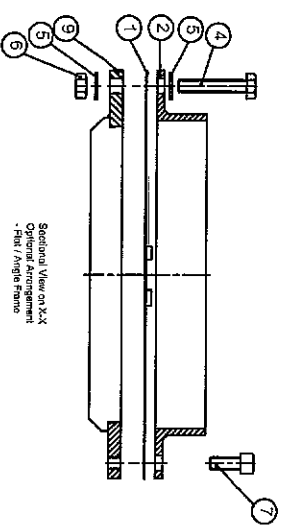
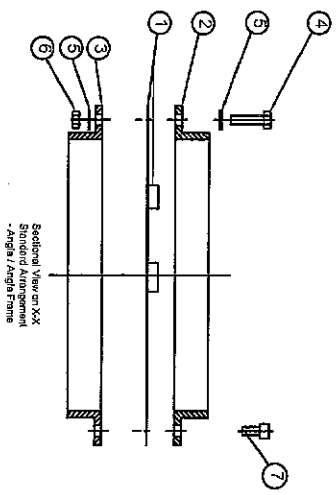
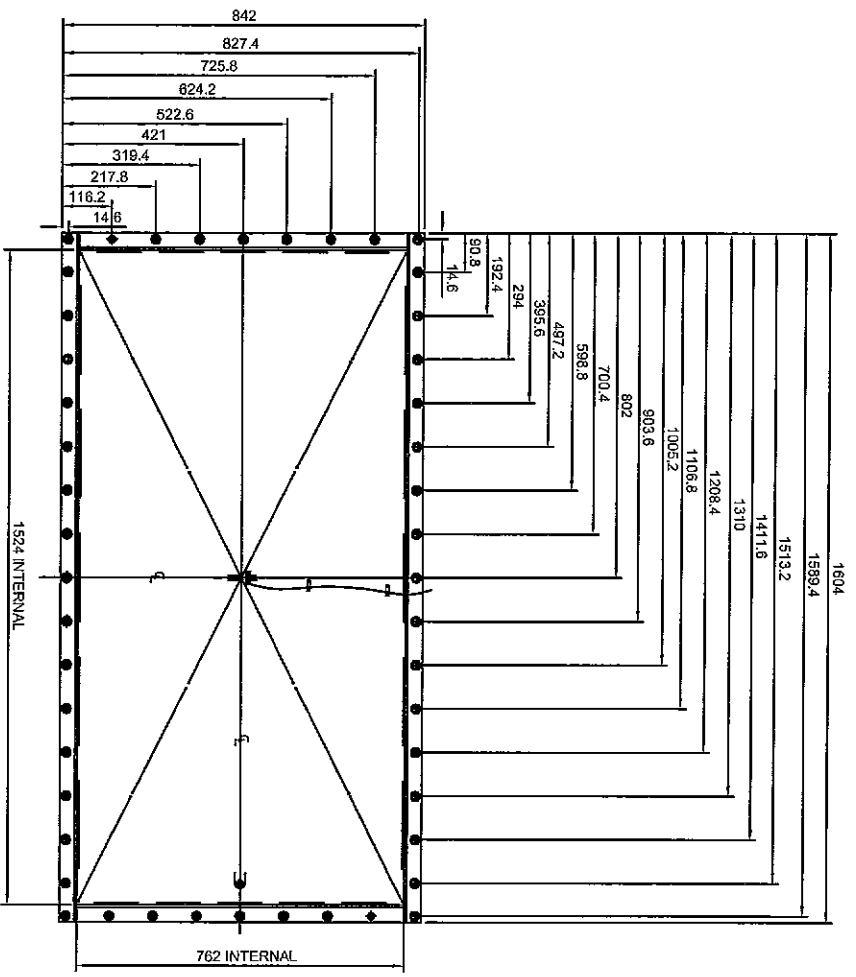
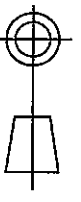
**DRG. No.** 04/07/08090 SHT 1

**DATE** 24/05/10

**APPROVED** [Signature]

**DATE** 24/05/10

**DRG. No.** 04/07/08090 SHT 1



Item No	Drawing Number	Description	Qty
1	04/07/08091 Sht 2	1604 x 842 Expansion Panel (With Integral Panel Rib-Tail Direction)	1
2	04/07/08194 Sht 2	1604 x 842 Outlet Frame	1
3	04/07/08194 Sht 1	1604 x 842 Angle Inlet Frame	1
4		M6 x 30 Hex Hd Screw (Customer Supply)	48
5		M6 Flange Nut (Customer Supply)	92
6		M6 Flat Nut (Customer Supply)	48
7		M6 x 16 Slot Hd Cap Screw	2
8	04/07/08194 Sht 3	1604 x 842 Flat Inlet Frame (Optional)	1

**ATEX approved**  
No change permitted without reference to the Quality Manager

The Banding Panel Frame Form One Part of A Protective System Under The Division 04/02/C (ATEX) when used with an EFB Supplied by the Manufacturer.  
Examination Certificate Number: T15024/EX/139  
To Comply With The Directive it is Essential That The Internal Dimensions And Spacers of The Frame, Frame and Spacers are as shown on the Drawing. Failure to Do So Will Invalidate Certification.

ISSUE	DESCRIPTION	DATE	BY	CHK	APPD
0	ORIGINAL ISSUE	24/05/10	AM	CE	BM



ALDER ROAD,  
NORTH SHIELDS, TYNE & WEAR,  
NE29 8SD, ENGLAND.  
TEL: +44 (0) 191 293 1234  
FAX: +44 (0) 191 293 1200  
WEBSITE: WWW.ELFAB.COM

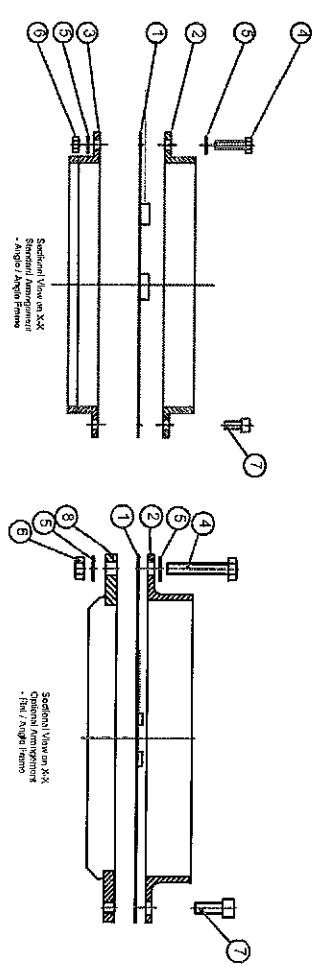
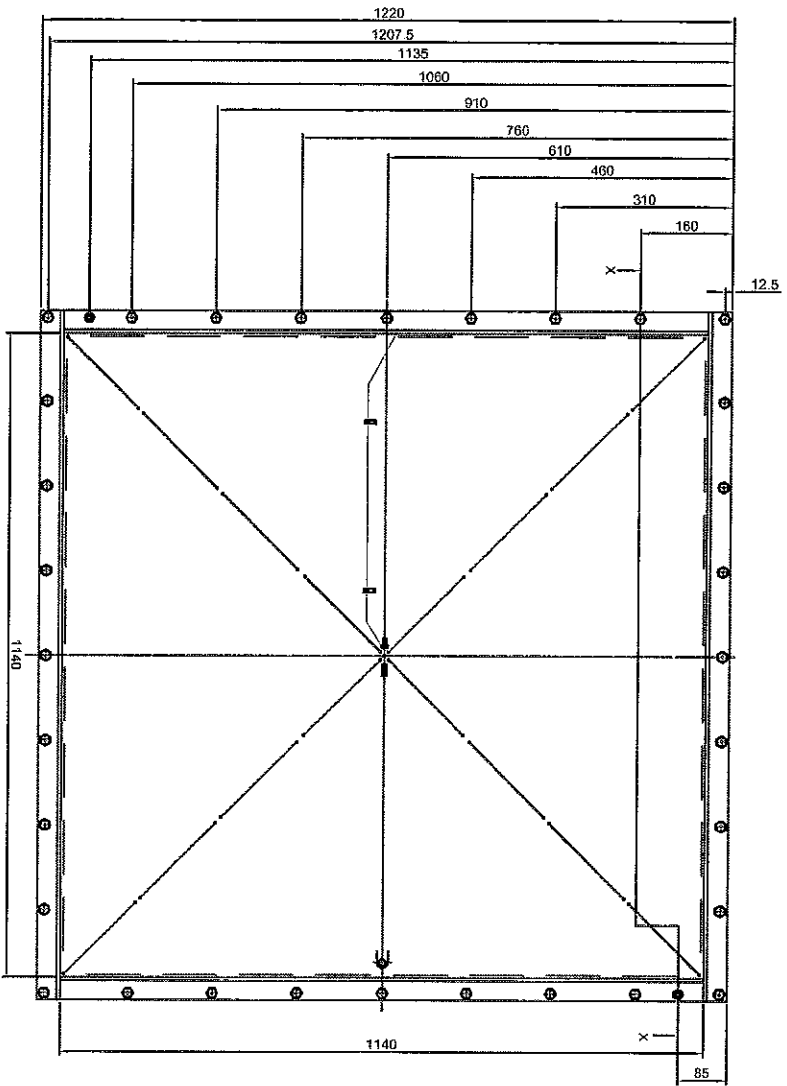
**TITLE**  
**1604 x 842mm EXTERNAL SIZE**  
**GENERAL ARRANGEMENT**

THIS DRAWING IS THE PROPERTY OF ELFAB LTD., IT MUST NOT BE USED FOR ANY PURPOSE OTHER THAN THAT FOR WHICH IT WAS SUPPLIED, NOR REPRODUCED, NOR SUPPLIED TO A THIRD PARTY WITHOUT WRITTEN PERMISSION OF THE OWNER

**DIMENSIONS IN mm UNLESS STATED OTHERWISE**  
DRAWN TO BS308  
**DO NOT SCALE**  
**IF IN DOUBT ASK**

**GENERAL TOLERANCING**  
XXX = ±0.25 AND ±0.25°  
XXX.X = ±0.1 AND ±0.1°  
XXX.XX = ±0.05 AND ±0.05°

DRAWN BY	AM	DRAWN DATE	24/05/10
CHECKED BY	CE	CHECKED DATE	24/05/10
APPROVED BY	BM	APPROVED DATE	24/05/10
DRAWING NUMBER	04/07/08091 SHT 1		



Item No.	Drawing Number	Description	Qty
1	04/07/08092 SH.2	1220 x 1220 Explosion Panel (With Integral Panel Fix-It! Detection)	1
2	04/07/08195 SH.2	1220 x 1220 Outlet Frame	1
3	04/07/08195 SH.1	1220 x 1220 Angle Inlet Frame	1
4	_____	M10 x 30 Hex Hd Screw (Customer Supply)	32
5	_____	M10 Flange (Customer Supply)	64
6	_____	M10 Full Nut (Customer Supply)	2
7	_____	M10 x 16 Sec Hd Cap Screw	2
8	04/07/08195 SH.3	1220 x 1220 Fix-It! Frame (Optional)	1

The Bursting Panel Frame Form One Part C/A Protective System Under The Direction of ATEX (ATEX) When Used With An Elfas Supplied Bursting Panel Compliant With EC Type Examination Certification Number IT503ATX1358

To Comply With The Directive It Is Essential That The Internal Dimensions And Sections Of The Frame, And Bolting Details Are Adhered To. Failure To Do So Will Invalidate Certification.

ATEX approved  
No changes permitted without  
reference to the Safety Manager



ALDER ROAD,  
NORTH SHIELDS, TYNE & WEAR,  
NE29 8SD, ENGLAND,  
TEL: +44 (0) 191 289 1284  
FAX: +44 (0) 191 289 1200  
WEBSITE: WWW.ELFAB.COM

ISSUE	DESCRIPTION	DATE	CHK	APP
0	04/07/08092 SHT 1 RE DRAWN	16/03/10	CE	BM

TITLE  
1220 x 1220 Explosion Panel  
General Arrangement

DIMENSIONS IN mm UNLESS OTHERWISE STATED  
DO NOT SCALE  
DRAWN TO BS 308

THIS DRAWING IS THE PROPERTY OF ELFAB LTD. IT MUST NOT BE USED FOR ANY PURPOSE OTHER THAN THAT FOR WHICH IT WAS SUPPLIED, NOR REPRODUCED, NOR SUPPLIED TO A THIRD PARTY WITHOUT WRITTEN PERMISSION OF THE OWNER

GEN. TOL. 40.25mm

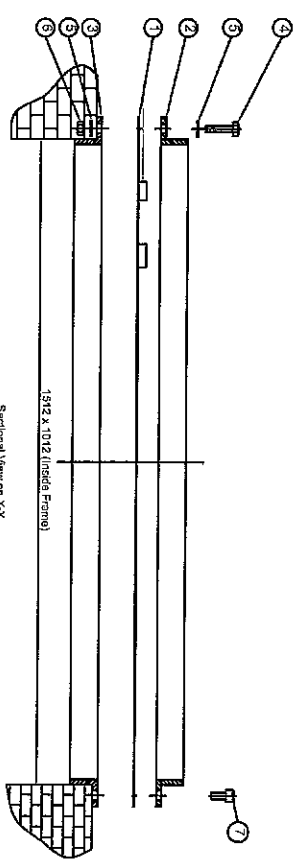
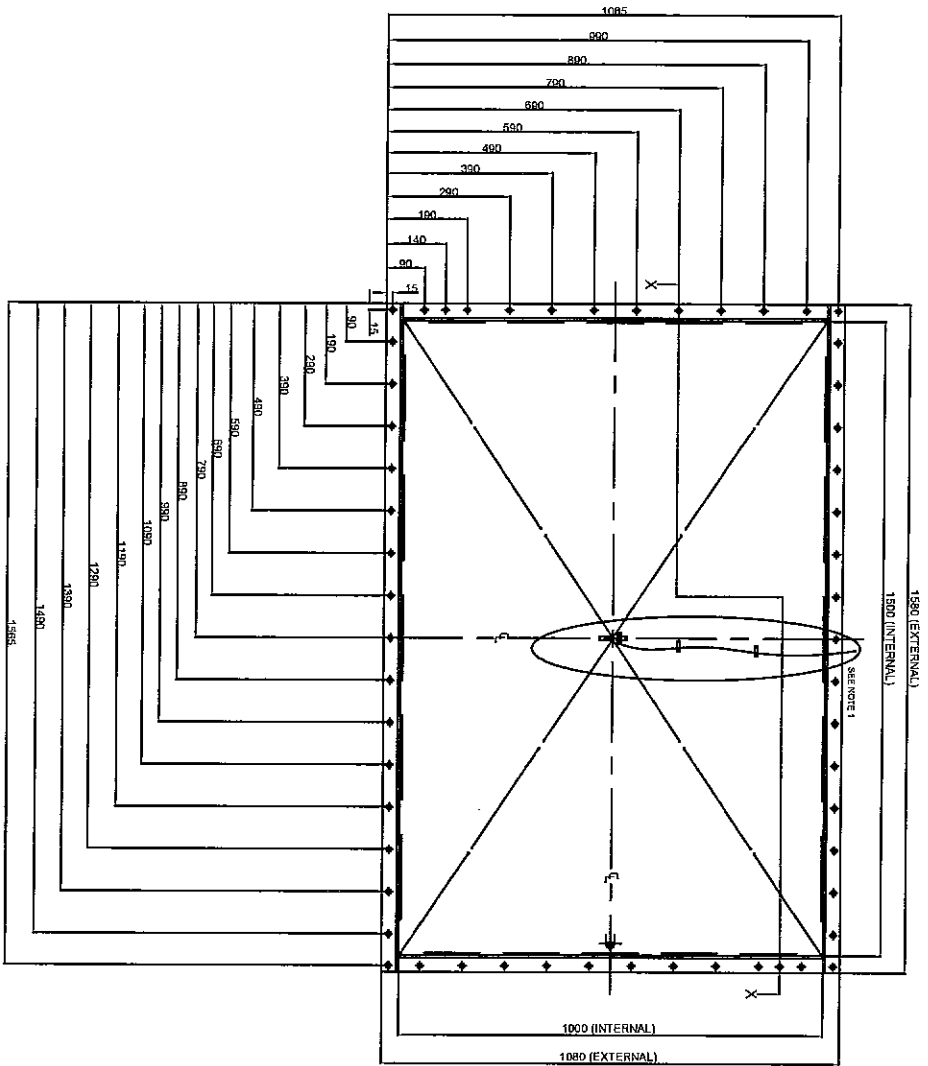
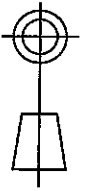
SCALE N.T.S.

DRAWN AM DATE 16/03/10  
APPROVED BM DATE 16/03/10

CHECKED CE DATE 16/03/10  
SIMILAR TO

SUPERSEDED BY

DRG. No. 04/07/08092 SHT 1



Item No	Drawing Number	Description	Qty
1	04/07/08093 SH 2	1580 x 1080 Espirocon Panel (With Integral Frame) (No-tel Direction)	1
2	04/07/08198 SH 2	1580 x 1080 Angle C/Inn Frame	1
3	04/07/08198 SH 1	1580 x 1080 Angle Inn Frame	1
4		M10 x 30 Hex Hd Screw (Customer Supply)	54
5		M10 Flatwasher (Customer Supply)	108
6		M10 Flat Nut (Customer Supply)	54
7		M10 x 16 Sec' Hd Cap Screw	2

The Brånner Panel Form One-Pk-014 Protective System Under The Order Reference (ATEX) When Used With An Eibs Supplied Existing Panel Compliant With EC Type Examination Certification Number 118/024/15X11355

To Comply With The Directive It Is Essential That The Internal Dimensions And Sections Of The Frame, And Being Details Are Adhered To. Failure To Do So Will Invalidate Certification.

ISSUE	DESCRIPTION	DATE	BY	CHK	APP'D
0	04/07/07512 SHT 1 RE DRAWN	16/03/10	AM	CE	BM



ALDER ROAD,  
NORTH SHIELDS, TYNE & WEAR,  
NE29 6SD, ENGLAND.  
TEL: +44 (0) 191 293 1234  
FAX: +44 (0) 191 293 1200  
WEBSITE: WWW.ELFAB.COM

**TITLE**  
**1580 x 1080 (Ext) 1500 x 1000 (Int)**  
**FLAT PANEL GENERAL**  
**ARRANGEMENT**

THIS DRAWING IS THE PROPERTY OF ELFAB LTD. IT  
MUST NOT BE USED FOR ANY PURPOSE OTHER THAN  
THAT FOR WHICH IT WAS SUPPLIED, NOR  
REPRODUCED, NOR SUPPLIED TO A THIRD PARTY  
WITHOUT WRITTEN PERMISSION OF THE OWNER

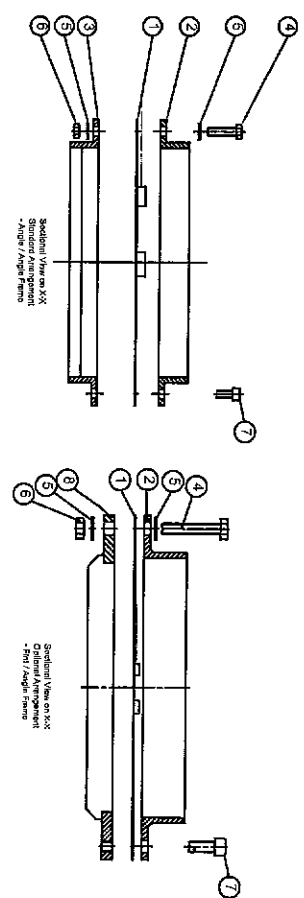
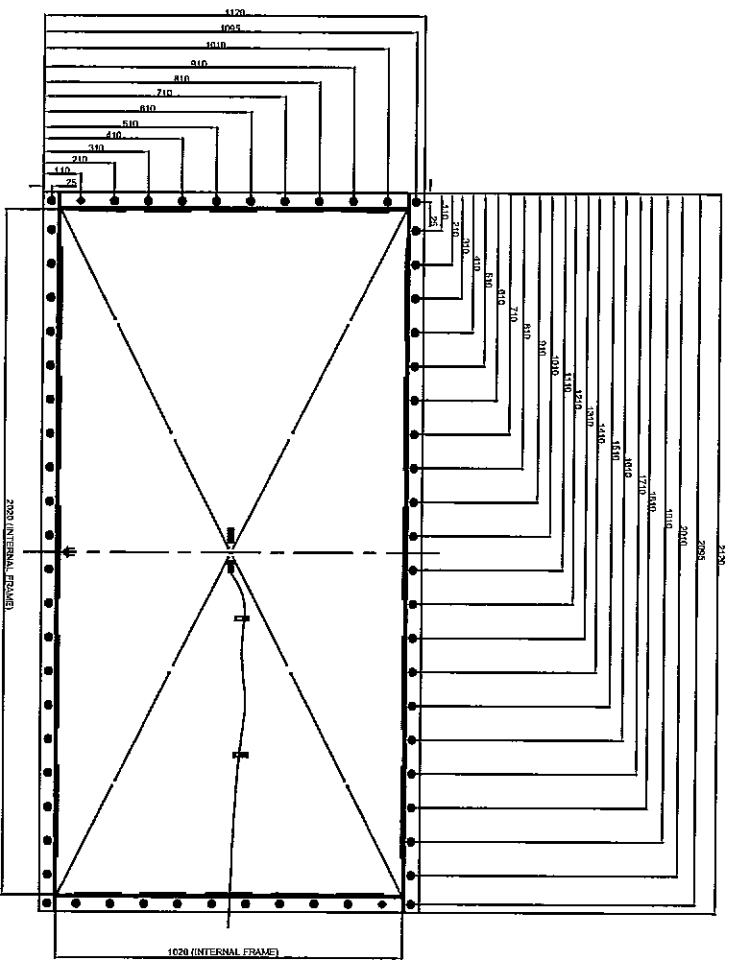
**DIMENSIONS IN mm UNLESS**  
**STATED OTHERWISE**  
**DRAWN TO BS308**  
**DO NOT SCALE**  
**IF IN DOUBT ASK**

**DRAWN BY** AM  
**CHECKED BY** CE  
**APPROVED BY** BM

**DRAWN DATE** 16/03/10  
**CHECKED DATE** 16/03/10  
**APPROVED DATE** 16/03/10

**DRAWING NUMBER**  
**04/07/08093 SHT1**

**GENERAL TOLERANCING**  
XXX = ±0.25 AND ±0.25°  
XXX.X = ±0.1 AND ±0.1°  
XXX.XX = ±0.05 AND ±0.05°



Item No.	Drawing Number	Description	Qty
1	04/07/08094_Sht.2	2120 x 1120 Explosion Panel (With Integral Panel Fix-Tin Detection)	1
2	04/07/08094_Sht.2	2120 x 1220 Outer Frame	1
3	04/07/08094_Sht.1	2120 x 1220 Angle Inlet Frame	1
4		M10 x 30 Hex Hd Screw (Custom Supply)	62
5		M10 Flat Nut (Customer Supply)	124
6		M10 x 16 Sec Hd Cap Screw	62
7		M10 x 16 Sec Hd Cap Screw (Optional)	2
8	04/07/08094_Sht.3	2120 x 1220 Flat Frame (Optional)	1

The Burding Panel Frame Forms One Part Of A Protective System Under The Directive 94/9/EC (ATEX) When Used With An Elfab Supplied Burding Panel Compliant With EC Type Examination Certification Number TTS04ATEX11358

To Comply With The Directive It Is Essential That The Installation Of The Frame, In Accordance With The Drawing, And Sealing Details Are Adhered To. Failure To Do So Will Invalidate Certification.

**ATEX approved**  
No change permitted without reference to the Quality Manager

ISSUE	DESCRIPTION	DATE	BY	CHK	APP'D
0	ORIGINAL ISSUE	24/05/10	AM	CE	BM



ALDER ROAD,  
NORTH SHIELDS, TYNE & WEAR,  
NE29 8SD, ENGLAND.  
TEL: +44 (0) 191 293 1234  
FAX: +44 (0) 191 293 1200  
WEBSITE: WWW.ELFAB.COM

**TITLE**  
**2120 x 1120 EXPLOSION PANEL**  
**GENERAL ARRANGEMENT**

THIS DRAWING IS THE PROPERTY OF ELFAB LTD., IT MUST NOT BE USED FOR ANY PURPOSE OTHER THAN THAT FOR WHICH IT WAS SUPPLIED, NOR REPRODUCED, NOR SUPPLIED TO A THIRD PARTY WITHOUT WRITTEN PERMISSION OF THE OWNER

**DIMENSIONS IN mm UNLESS STATED OTHERWISE**  
**DRAWN TO BS308**  
**DO NOT SCALE**  
**JE IN DOUBT ASK**

**GENERAL TOLERANCING**  
XXX = ±0.25 AND ±0.25°  
XXX X = ±0.1 AND ±0.1°  
XXX.X = ±0.05 AND ±0.05°

DRAWN BY	CHECKED BY	APPROVED BY	DRAWN DATE	CHECKED DATE	APPROVED DATE
AM	CE	BM	24/05/10	24/05/10	24/05/10
DRAWING NUMBER			04/07/08094 SHT 1		