

CE 0038 [P > 0.5 BAR]

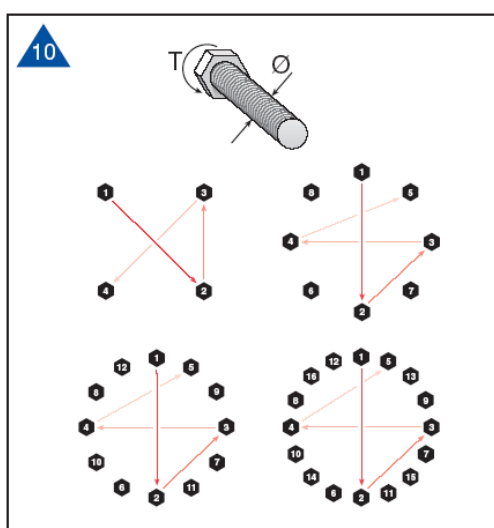
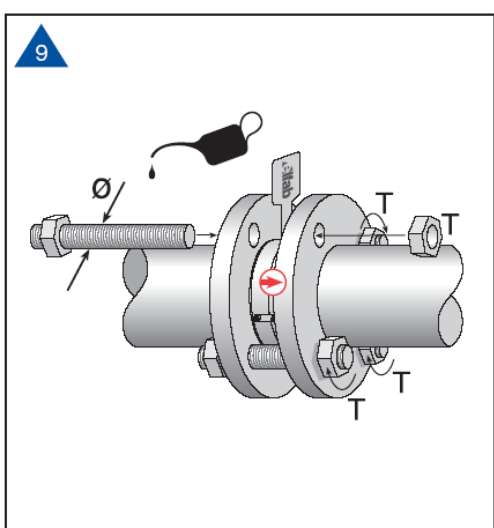
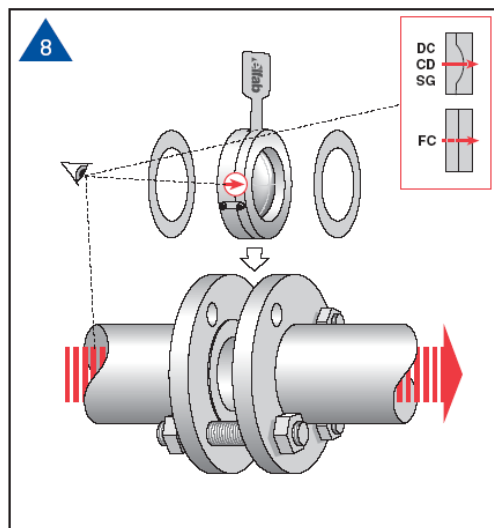
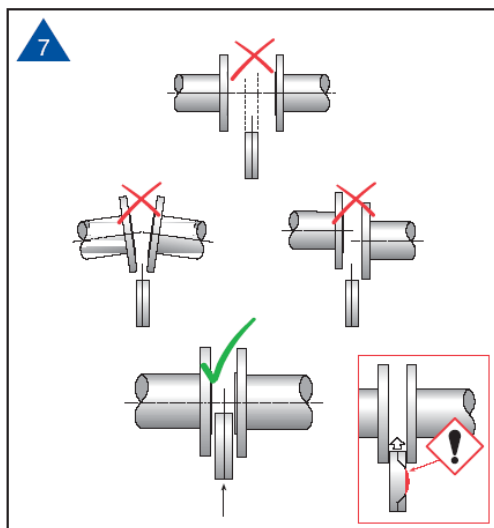
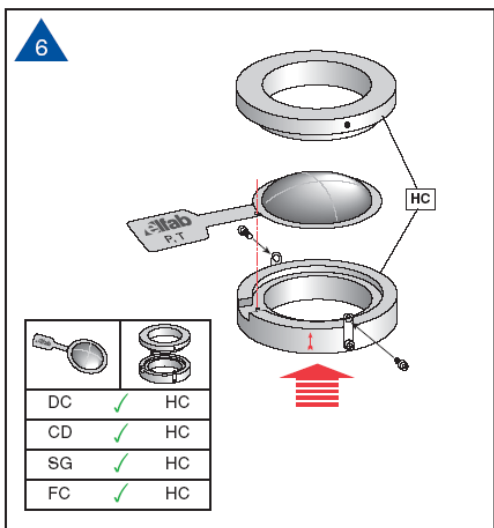
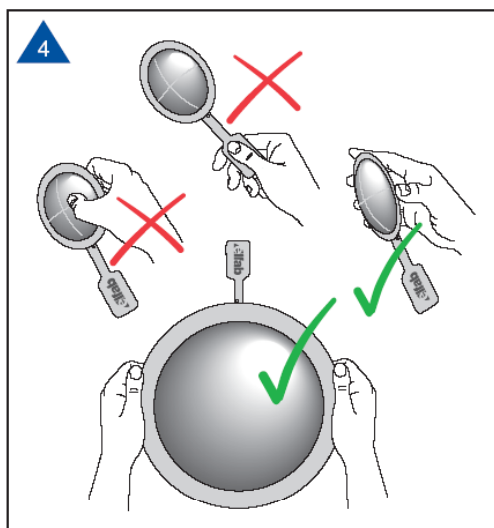
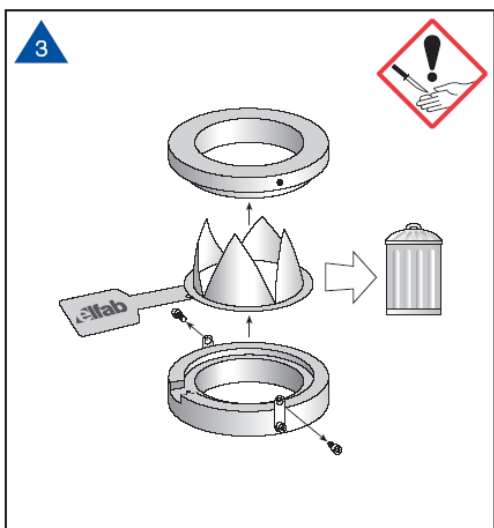
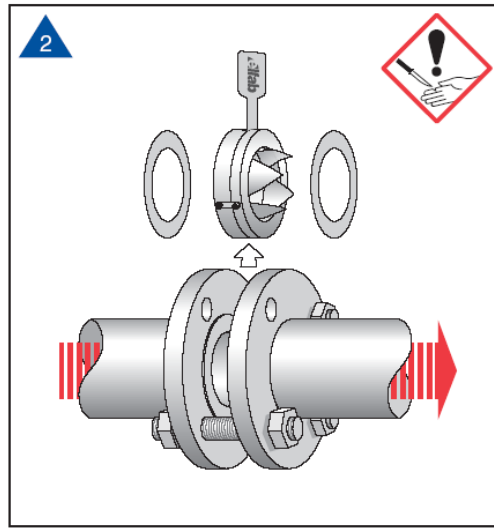
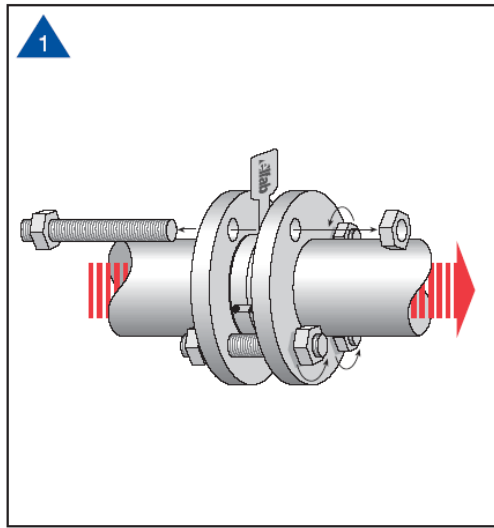
- elfab** GROUP
- Installation (GB)
  - Installation (F)
  - Einbauanleitung (D)
  - Installazione (I)
  - Instalatie (NL)
  - Instalação (P)
  - Instalacion (E)
  - Installation (S)
  - Установка (RUS)



- Domed Composite (DC)
- Conventional Domed (CD)
- Safe-Gard (SG)
- Flat Composite (FC)

ELFAB LIMITED  
 Alder Road, North Shields, Tyne and Wear NE29 8SD.  
 UNITED KINGDOM  
 Free Phone: 00 800 88 22 88 00 (Europe, RoW)  
 Toll Free (USA): (877) 88 22 880  
 e-mail: sales@elfab.com http://www.elfab.com

GS344/RS56/67 APRIL 2004



Ø(mm)	T (Nm) C	Ø(Ins)	T (lbs.ft) C
10	18 ± 2	1/2	25 ± 5
12	30 ± 5	5/8	50 ± 10
16	75 ± 10	3/4	85 ± 20
20	150 ± 25	7/8	140 ± 30
24	260 ± 40	1	210 ± 40
27	370 ± 60	1 1/8	300 ± 60
30	500 ± 90	1 1/4	410 ± 90
33	670 ± 110	1 3/8	550 ± 120
36	870 ± 150	1 1/2	720 ± 150
39	1110 ± 190	1 3/4	1160 ± 230
45	1810 ± 390	2	1730 ± 340