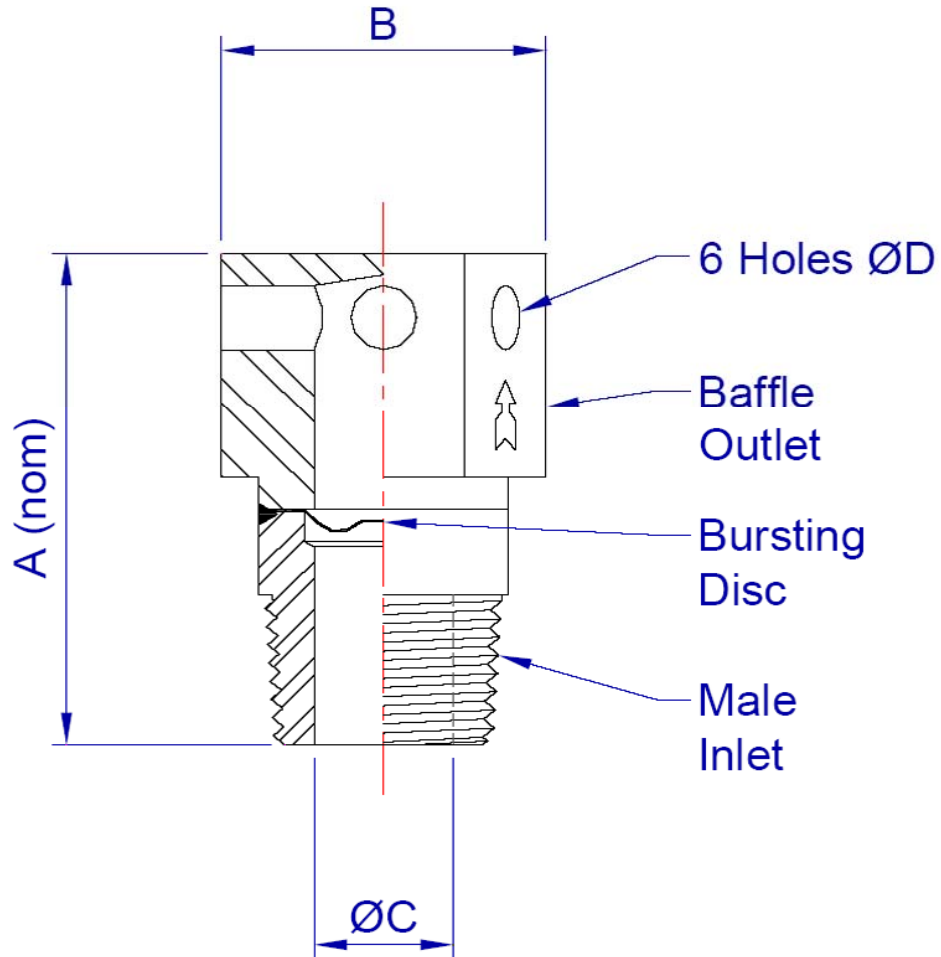


Rupture Disc Plug (OE6)

316 Stainless Steel Welded - Male to Baffle



Inlet Thread (male)	Overall Length A		Hexagon A/F B		Inlet Bore C		Baffle Dia. D	
	mm	inch	mm	inch	mm	inch	mm	inch
1/4" BSPT	46	1 13/16	25.4	1	6	1/4	6	1/4
1/2" BSPT	46	1 13/16	25.4	1	12.7	1/2	6	1/4
3/4" BSPT	53	2 1/16	31.75	1 1/4	19.1	3/4	8	5/16
1/4" NPT	46	1 13/16	25.4	1	6	1/4	6	1/4
1/2" NPT	46	1 13/16	25.4	1	12.7	1/2	6	1/4
3/4" NPT	53	2 1/16	31.75	1 1/4	19.1	3/4	8	5/16