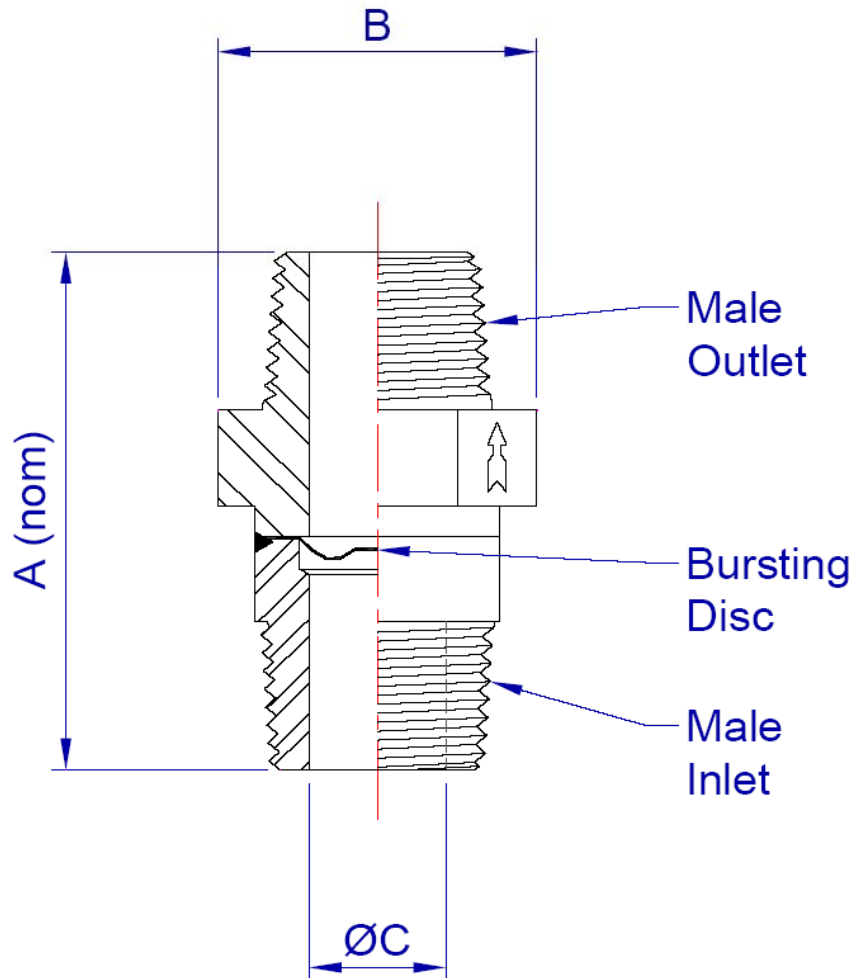


Rupture Disc Plug (OE6)

316 Stainless Steel Welded Male to Male



Inlet Thread (male)	Outlet Thread (male)	Overall Length A		Hexagon A/F B		Inlet Bore C	
		mm	inch	mm	inch	mm	inch
1/4" BSPT	1/4" BSPT	49	1 15/16	25.4	1	6	1/4
1/2" BSPT	1/2" BSPT	49	1 15/16	25.4	1	12.7	1/2
3/4" BSPT	3/4" BSPT	56	2 1/4	31.75	1 1/4	19.1	3/4
1/4" NPT	1/4" NPT	49	1 15/16	25.4	1	6	1/4
1/2" NPT	1/2" NPT	49	1 15/16	25.4	1	12.7	1/2
3/4" NPT	3/4" NPT	56	2 1/4	31.75	1 1/4	19.1	3/4