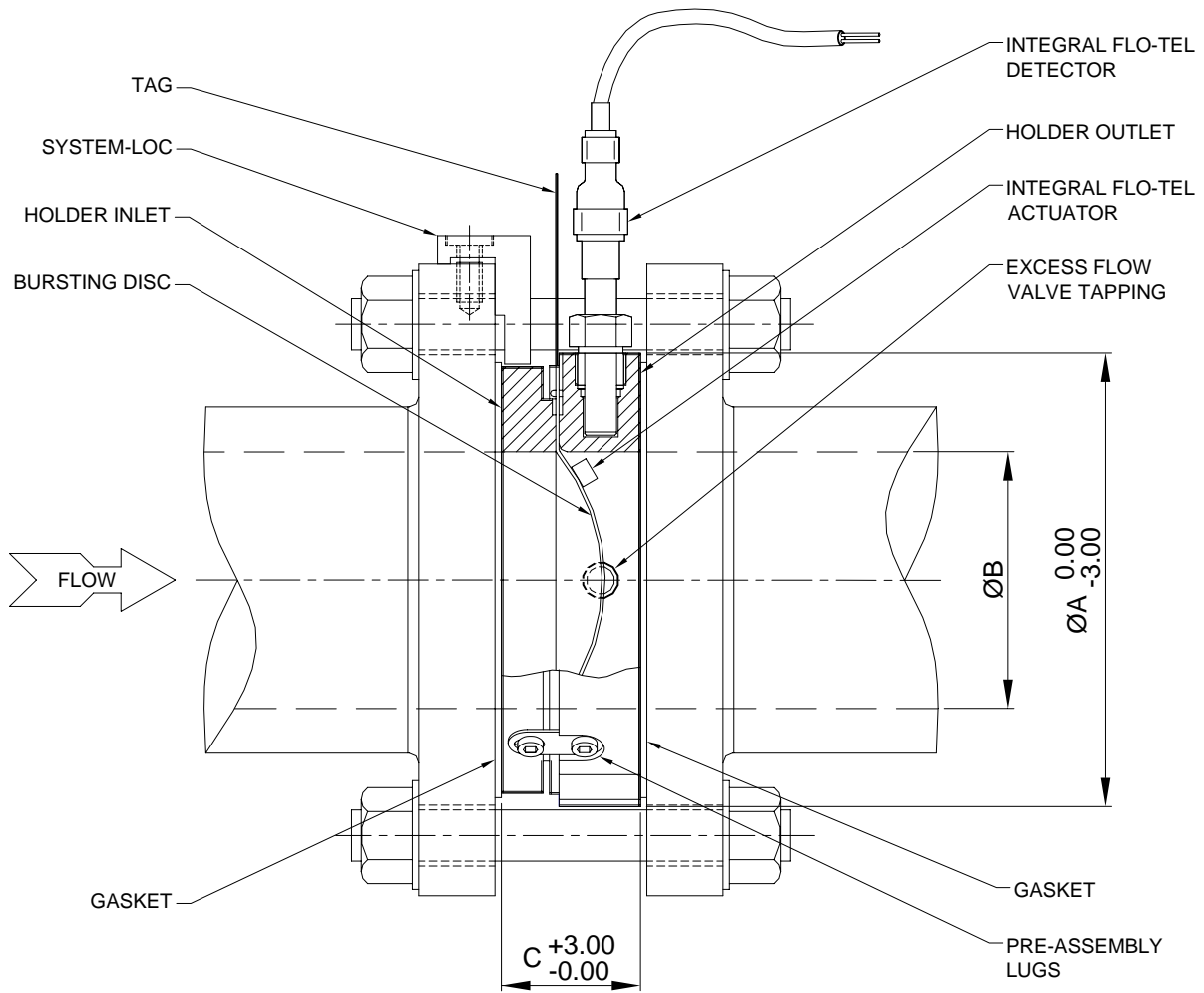


# Conventional Domed (CD) (previously SM)



Nominal Bore (B)	Outside Diameter (A)								Face-to-Face (C) Conventional Domed
	mm	in	EN 1092-1 Flanges PN Designated				BS 1560 & ANSI B16.5 Flanges Class Designated		
		6	10	16	25	150	300		
25	1	65 (2.56")	73 (2.87")	73 (2.87")	73 (2.87")	66.5 (2.62")	73 (2.87")	38.4 (1.51")	
40	1.5	88 (3.46")	94 (3.70")	94 (3.70")	94 (3.70")	85.5 (3.36")	95.5 (3.76")	38.4 (1.51")	
50	2	98 (3.86")	109 (4.29")	109 (4.29")	109 (4.29")	104.5 (4.11")	111 (4.37")	38.4 (1.51")	
65	2.5	118 (4.64")	129 (5.08")	129 (5.08")	129 (5.08")	124 (4.88")	130 (5.12")	40 (1.57")	
80	3	134 (5.27")	144 (5.67")	144 (5.67")	144 (5.67")	136.5 (5.37")	149.5 (5.88")	42 (1.65")	
100	4	154 (6.06")	164 (6.45")	164 (6.45")	170 (6.69")	174.5 (6.87")	181 (7.12")	47 (1.85")	
150	6	209 (8.23")	220 (8.66")	220 (8.66")	226 (8.89")	222.5 (8.76")	251 (9.88")	62 (2.44")	
200	8	264 (10.39")	275 (10.83")	275 (10.83")	286 (11.26")	279.5 (11.00")	308 (12.12")	58 (2.28")	
250	10	319 (12.56")	330 (12.99")	331 (13.03")	343 (13.50")	340 (13.38")	362 (14.25")	58 (2.28")	
300	12	375 (14.76")	380 (14.96")	386 (15.19")	403 (15.86")	409.5 (16.12")	422 (16.61")	58 (2.28")	
350	14	425 (16.73")	440 (17.32")	446 (17.56")	460 (18.11")	451 (17.75")	486 (19.13")	66.5 (2.62")	
400	16	475 (18.70")	491 (19.33")	498 (19.06")	517 (20.35")	514.5 (20.25")	540 (21.26")	66.5 (2.62")	
450	18	-	541 (21.29")	-	-	549 (21.61")	597 (23.50")	71.5 (2.81")	
500	20	580 (22.83")	596 (23.46")	620 (24.40")	627 (24.68")	606.5 (23.88")	654 (25.75")	71.5 (2.81")	
600	24	681 (26.81")	698 (27.48")	737 (29.00")	734 (28.89")	717.5 (28.25")	774.5 (30.49")	88 (3.46")	
700	28	786 (30.94")	813 (32.00")	807 (31.77")	836 (32.91")	830 (32.68")	898 (35.35")	102 (4.02")	
800	32	893 (35.16")	920 (36.22")	914 (35.98")	945 (37.20")	938 (36.93")	1006 (39.60")	116 (4.57")	