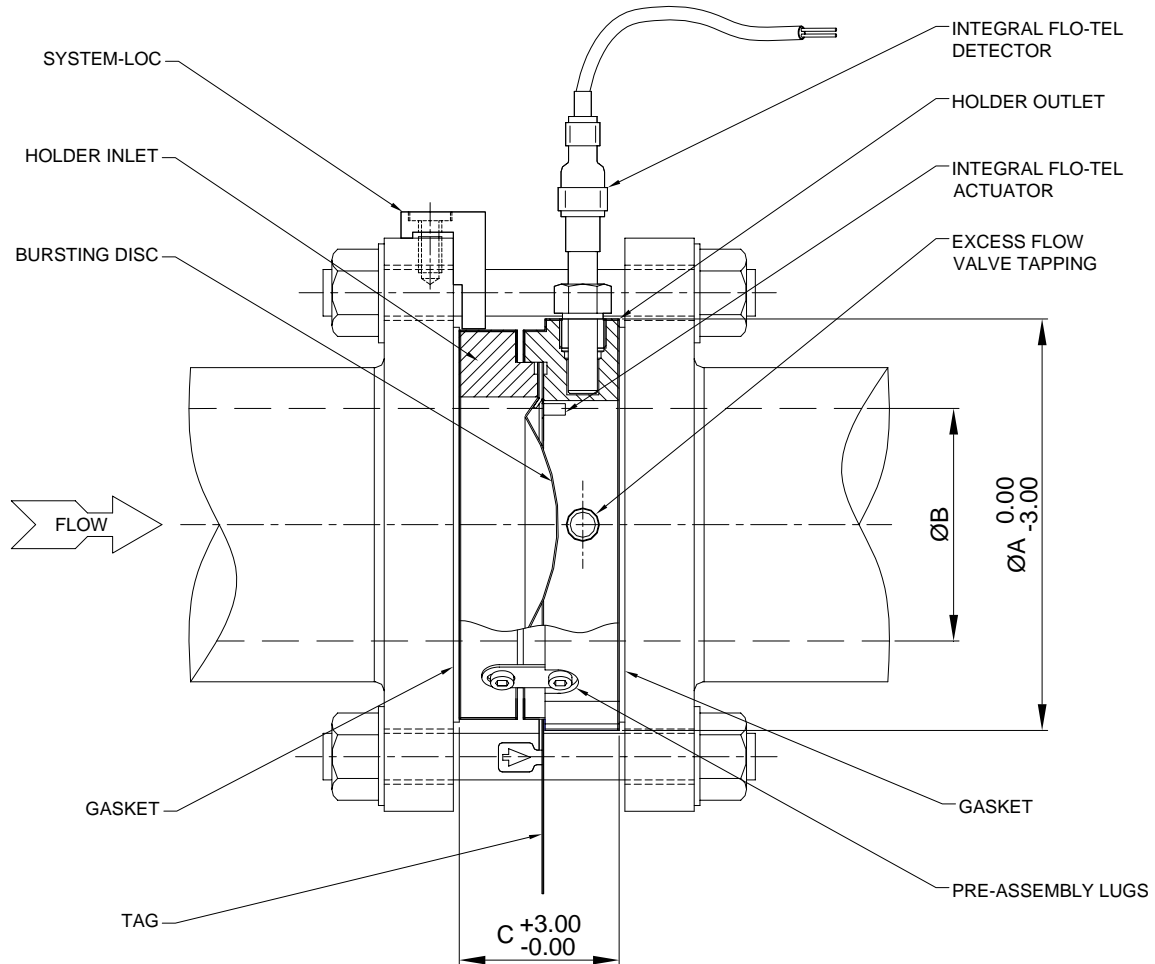


# Opti-Gard SoLo (OPS)



Nominal Bore (B)		Outside Diameter (A)								Face-to-Face (C)	
		EN 1092-1 Flanges PN Designated				BS 1560 & ANSI B16.5 Flanges Class Designated				Opti-Gard SoLo	
mm	in	6	10	16	25	150	300				
25	1	65 (2.56")	73 (2.87")	73 (2.87")	73 (2.87")	66.5 (2.62")	73 (2.87")			40 (1.57")	
40	1.5	88 (3.46")	94 (3.70")	94 (3.70")	94 (3.70")	85.5 (3.36")	95.5 (3.76")			42 (1.65")	
50	2	98 (3.86")	109 (4.29")	109 (4.29")	109 (4.29")	104.5 (4.11")	111 (4.37")			44 (1.73")	
65	2.5	118 (4.64")	129 (5.08")	129 (5.08")	129 (5.08")	124 (4.88")	130 (5.12")			49.6 (1.95")	
80	3	134 (5.27")	144 (5.67")	144 (5.67")	144 (5.67")	136.5 (5.37")	149.5 (5.88")			55 (2.17")	
100	4	154 (6.06")	164 (6.45")	164 (6.45")	170 (6.69")	174.5 (6.87")	181 (7.12")			58 (2.28")	
150	6	209 (8.23")	220 (8.66")	220 (8.66")	226 (8.89")	222.5 (8.76")	251 (9.88")			74 (2.91")	
200	8	264 (10.39")	275 (10.83")	275 (10.83")	286 (11.26")	279.5 (11.00")	308 (12.12")			91 (3.58")	
250	10	319 (12.56")	330 (12.99")	331 (13.03")	343 (13.50")	340 (13.38")	362 (14.25")			106 (4.17")	
300	12	375 (14.76")	380 (14.96")	386 (15.19")	403 (15.86")	409.5 (16.12")	422 (16.61")			121 (4.76")	