

CE 0038

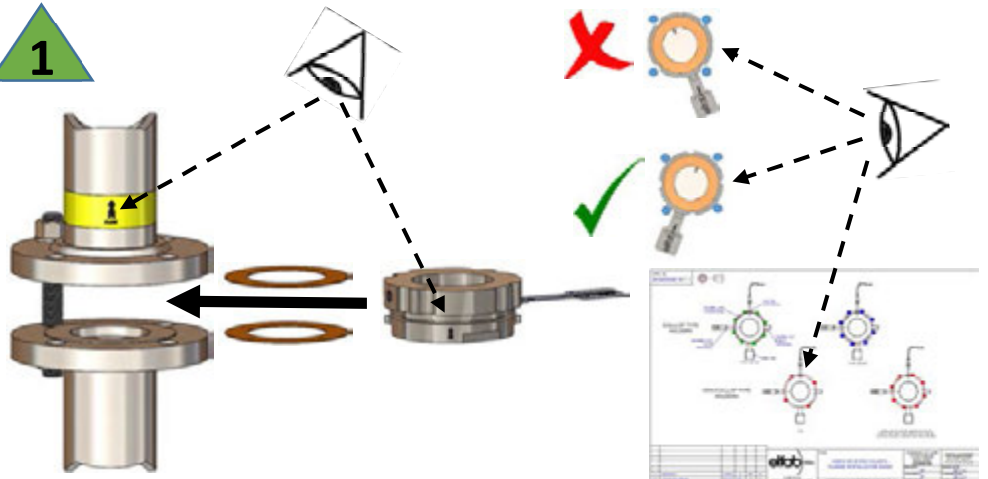
elfab pressure intelligence



Installation  
Installation  
Einbauanleitung  
Installazione  
Instalatie  
Instalação  
Instalacion  
Installation  
Установка

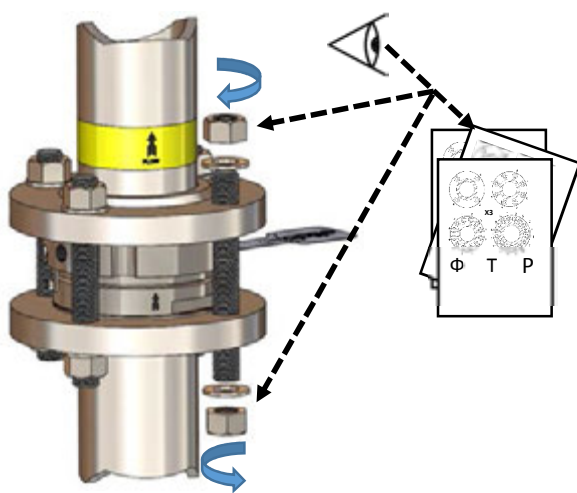
GB  
F  
D  
I  
NL  
P  
E  
S  
RUS

1

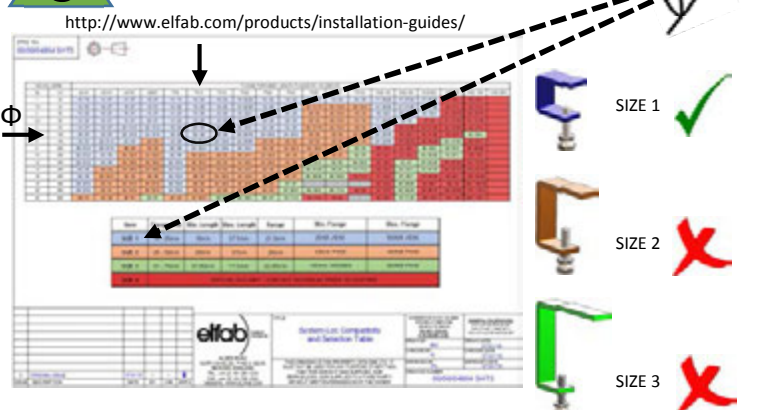


<http://www.elfab.com/products/installation-guides/>

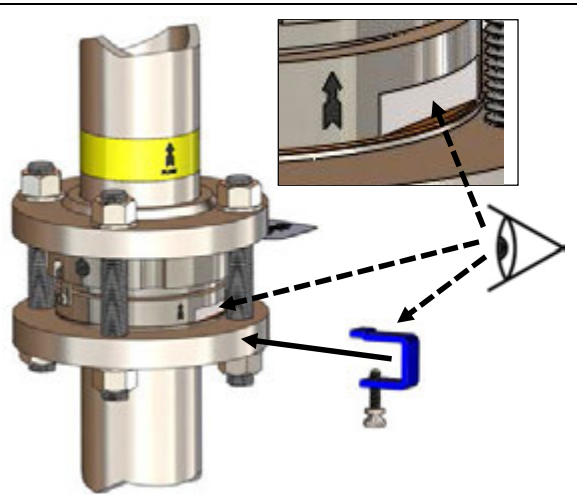
2



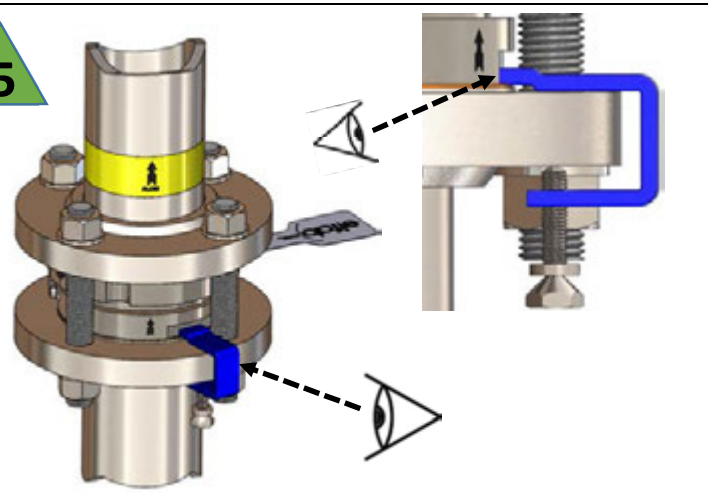
3



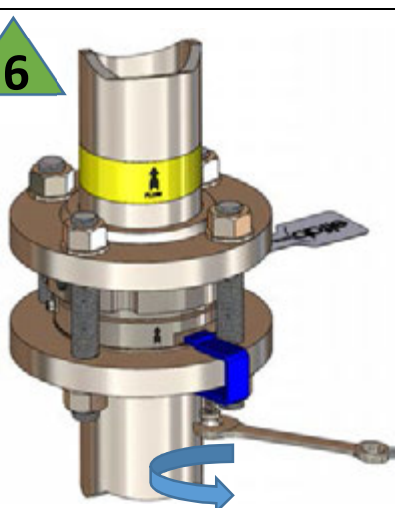
4



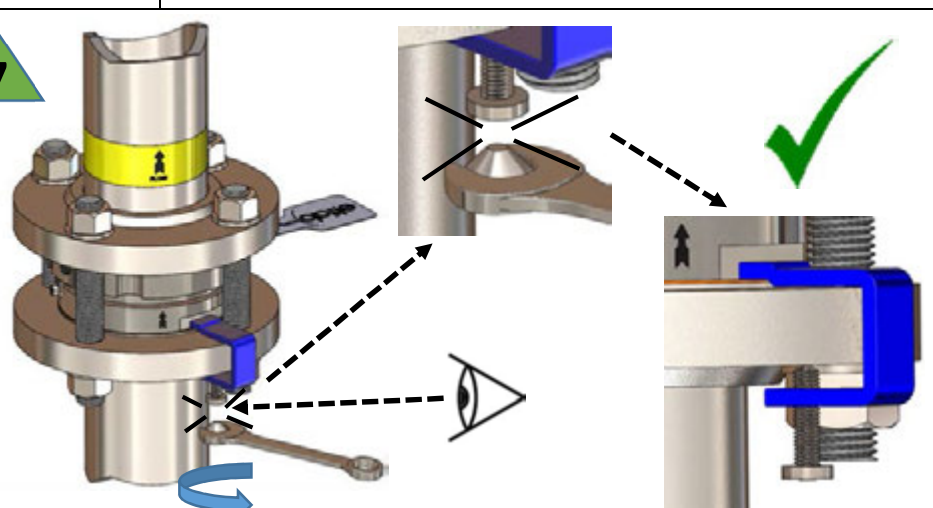
5



6

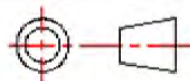


7



DRAWING NUMBER 00-00-09029

REVISION A



NOMINAL BORE		FLANGE THICKNESS / LENGTH (FLANGE OD - HOLDER OD)																		
Ins	mm	JIS5K	JIS10K	JIS16K	JIS20K	PN6	PN10	PN16	PN20	PN25	PN40	PN50	PN63	PN100	ANSI 150	ANSI 300	ANSI 600	ANSI 900	ANSI 1500	ANSI 2500
1	25	10 / 18	14 / 27	14 / 27	18 / 27	14 / 18	18 / 22	18 / 22	18 / 25.25	18 / 22	18 / 22	24 / 27.5	24 / 29	24 / 29	11 / 25.25	17 / 27.05	17 / 27.05	29 / 36.4	29 / 36.4	
1.5	40	12 / 20	16 / 27	16 / 27	18 / 27	14 / 22	18 / 29	18 / 29	18 / 22.25	18 / 29	18 / 29	28 / 31.75	28 / 33.5	28 / 33.5	14 / 25.25	21 / 31.95	22 / 31.95	32 / 41.4	32 / 41.4	
2	50	14 / 20	16 / 27	16 / 27	18 / 27	14 / 22	18 / 29	18 / 29	18 / 25.2	20 / 29	20 / 29	26 / 29	26 / 33.5	30 / 36	16 / 25.2	22 / 28.5	25 / 28.5	36 / 38.15	36 / 38.15	
2.5	65	14 / 20	18 / 27	18 / 27	20 / 27	14 / 22	18 / 29	18 / 29	18 / 28.65	22 / 29	22 / 29	26 / 32	26 / 33.5	34 / 38	17 / 28.65	25 / 32	29 / 32	41 / 41.05	41 / 41.05	
3	80	14 / 27	18 / 27	20 / 31.5	22 / 31.5	16 / 29	20 / 29	20 / 29	20 / 28.8	24 / 29	24 / 29	28 / 31.75	28 / 33.5	36 / 38	19 / 28.8	29 / 31.95	32 / 31.95	38 / 37.95	48 / 47.8	
4	100	16 / 27	18 / 27	22 / 31.5	24 / 31.5	16 / 29	20 / 29	20 / 29	20 / 28.75	24 / 33.5	24 / 33.5	30 / 36	30 / 36	40 / 42.5	24 / 28.75	32 / 38.1	36 / 41.25	44 / 44.4	54 / 52.3	
6	150	18 / 27	22 / 31.5	24 / 35	28 / 35	18 / 29	22 / 33.5	22 / 33.5	22 / 29.95	28 / 38	28 / 38	36 / 36	36 / 49	44 / 49	25 / 29.95	37 / 36.15	48 / 46.25	56 / 47.65	83 / 67.3	
8	200	20 / 31.5	22 / 31.5	26 / 35	30 / 35	20 / 29	24 / 33.5	24 / 33.5	24 / 33.4	30 / 38	34 / 42.5	42 / 38.5	42 / 53	52 / 53	29 / 33.4	41 / 38.1	56 / 50.8	64 / 57.2	92 / 66.85	
10	250	22 / 31.5	24 / 35	28 / 38.5	34 / 38.5	22 / 29	26 / 33.5	26 / 38	26 / 34.7	32 / 42.5	38 / 48	46 / 44	46 / 53	60 / 57	30 / 34.7	41 / 43.1	64 / 55.55	70 / 57.1	106 / 76.1	
12	300	22 / 31.5	24 / 35	30 / 38.5	36 / 38.5	22 / 33.5	26 / 33.5	28 / 38	34 / 38.3	34 / 42.5	42 / 49	52 / 51.5	52 / 53	68 / 63.5	32 / 38.3	51 / 51	67 / 52.05	80 / 57.35	124 / 77.75	
14	350	24 / 35	26 / 35	34 / 46.5	40 / 46.5	22 / 33.5	26 / 33.5	30 / 38	38 / 42.7	38 / 49	46 / 53	56 / 51.25	56 / 57	74 / 71.5	36 / 42.7	54 / 50.7	70 / 57.05	86 / 61.75	133 / 87.15	
16	400	24 / 35	28 / 38.5	36 / 49	46 / 49	22 / 33.5	26 / 38	32 / 42.5	40 / 42.9	40 / 53	50 / 57	60 / 56.25	60 / 63.5	78 / 71.5	37 / 42.9	57 / 55.7	76 / 62.05	89 / 66.7	146 / 93.96	
18	450	24 / 37.5	30 / 41	40 / 51.5	48 / 51.5	22 / 33.5	28 / 38	40 / 42.5	40 / 44.5	46 / 53	57 / 57	-	-	-	40 / 44.5	60 / 56.65	83 / 66.7	102 / 76	162 / 106.15	
20	500	24 / 37.5	30 / 41	42 / 51.5	50 / 51.5	24 / 33.5	28 / 38	44 / 49	48 / 47.9	48 / 53	57 / 63.5	66 / 62.5	66 / 71.5	94 / 83	43 / 47.9	64 / 62.05	89 / 66.75	108 / 80.65	176 / 115.8	
24	600	26 / 41	32 / 49	46 / 57	54 / 57	30 / 38	34 / 42.5	54 / 53	58 / 49.3	58 / 57	72 / 71.5	78 / 71.5	76 / 83	-	48 / 49.3	70 / 71.25	102 / 76.3	140 / 103	203 / 134.7	

Item	Flange Thk	Min. Length	Max. Length	Range	Min. Flange	Max. Flange
SIZE 1	10 - 25mm	16mm	37.5mm	21.5mm	25NB JIS5K	500NB JIS5K
SIZE 2	26 - 50mm	29mm	57mm	28mm	50mm PN50	400NB PN40
SIZE 3	51 - 75mm	47.65mm	71.5mm	23.85mm	150mm ANSI900	600NB PN40
SIZE 4	SPECIAL G-CLAMP - CONTACT TECHNICAL PRIOR TO QUOTING					

ISSUE	DESCRIPTION	DATE	BY	CHK	APP'd
0	ORIGINAL ISSUE	07/01/16	--	--	--

ALDER ROAD,  
NORTH SHIELDS, TYNE & WEAR,  
NE29 8SD, ENGLAND.  
TEL. +44 (0) 191 293 1234  
FAX. +44 (0) 191 293 1200  
WEBSITE. WWW.ELFAB.COM

TITLE	DIMENSIONS IN mm UNLESS STATED OTHERWISE DRAWN TO BS308 DO NOT SCALE. IF IN DOUBT A SK	GENERAL TOLERANCING XXX = ±0.25 AND ±0.25° XXX.X = ±0.1 AND ±0.1° XXX.XX = ±0.05 AND ±0.05°
<b>System-Loc Compatibility and Selection Table</b>	DRAWN BY <b>BM</b>	DRAWN DATE <b>07/01/16</b>
	CHECKED BY <b>IC</b>	CHECKED DATE <b>07/01/16</b>
	APPROVED BY <b>ML</b>	APPROVED DATE <b>07/01/16</b>
THIS DRAWING IS THE PROPERTY OF ELFAB LTD...IT MUST NOT BE USED FOR ANY PURPOSE OTHER THAN THAT FOR WHICH IT WAS SUPPLIED, NOR REPRODUCED, NOR SUPPLIED TO A THIRD PARTY WITHOUT WRITTEN PERMISSION OF THE OWNER		
DRAWING NUMBER <b>00/00/04864 SHT5</b>		