

CE 0038 [P>0.5Bar]

elfab pressure intelligence



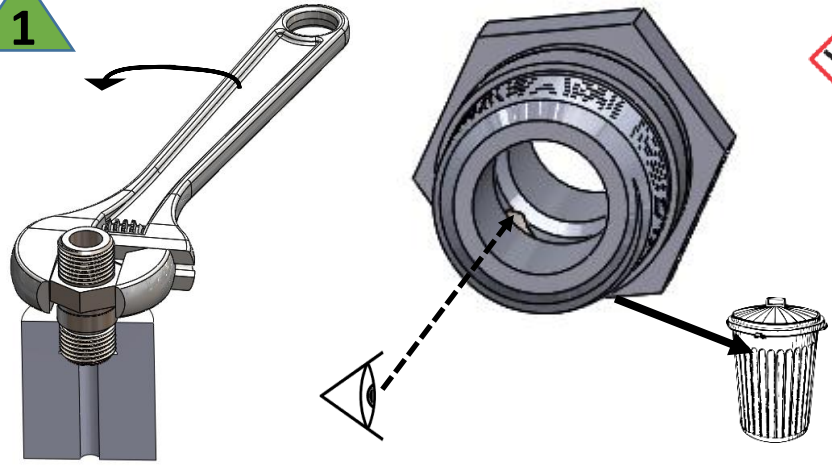
Installation
 Installation
 Einbauanleitung
 Installazione
 Installatie
 Instalação
 Instalacion
 Installation
 Установка

- (GB)
- (F)
- (D)
- (I)
- (NL)
- (P)
- (E)
- (S)
- (RUS)

OE6 Plugs

Elfab Limited
 Alder Road, North Shields, Tyne and Wear, NE298SD
 UNITED KINGDOM
 e-mail: sales@elfab.com http://www.elfab.com
 Tel: +44(0)1912931234

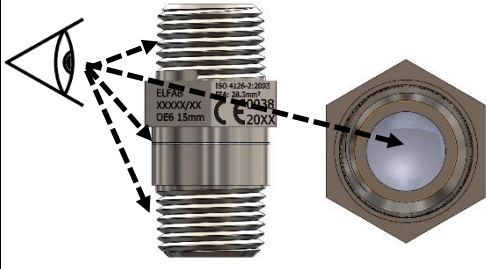
1



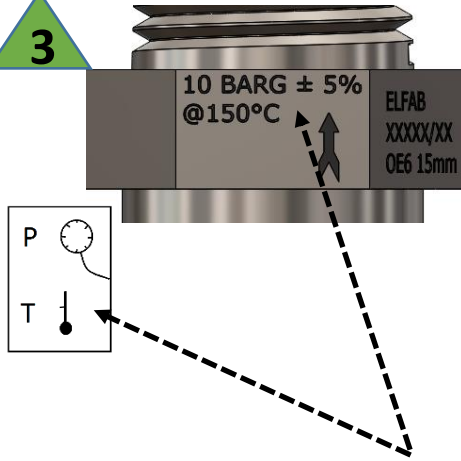
2

Do not use if damaged
 Ne pas utiliser si endommagé
 Niemals beschadigde berstscheibe einbauen
 Non utilizzare se danneggiato
 Indien beschadigd niet gebruiken
 Não usar se avanado
 No utilice en caso de que este danado
 Far ej anvandas. Om det ar skadat
 Не пользоваться при повреждениях

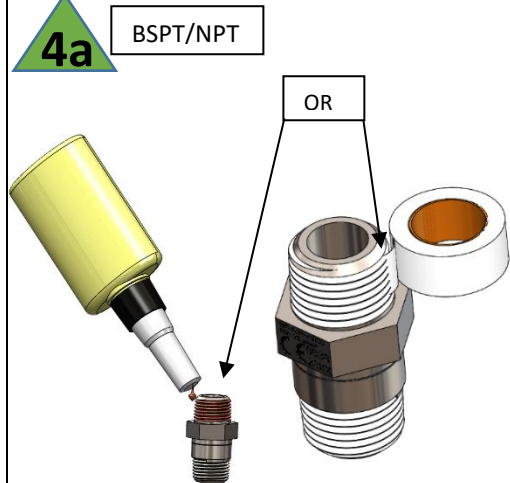
- (GB)
- (F)
- (D)
- (I)
- (NL)
- (P)
- (E)
- (S)
- (RUS)



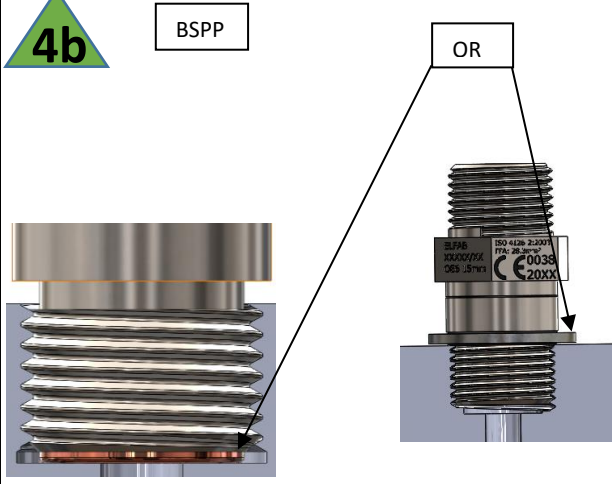
3



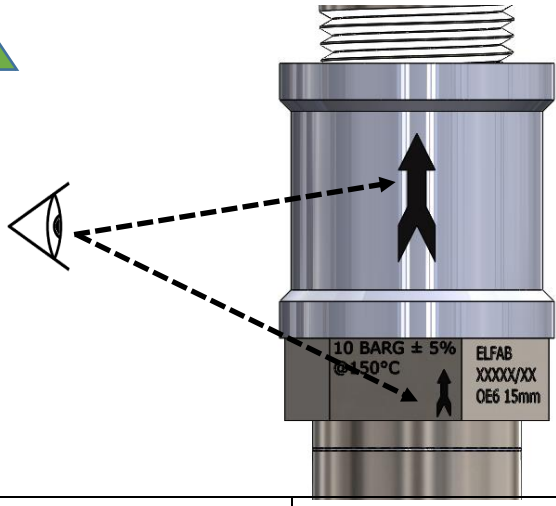
4a



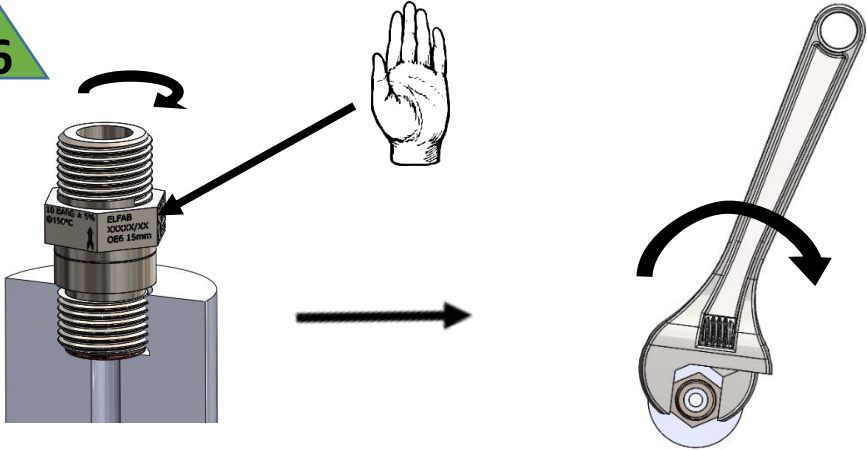
4b



5



6



7

Maximum Torque Setting (Nm) (TYPICAL)	
Thread	Torque
1/4" (Inch)	30
3/8" (Inch)	40
1/2" (Inch)	50