

CE 0038 [P>0.5Bar]



elfab pressure technology

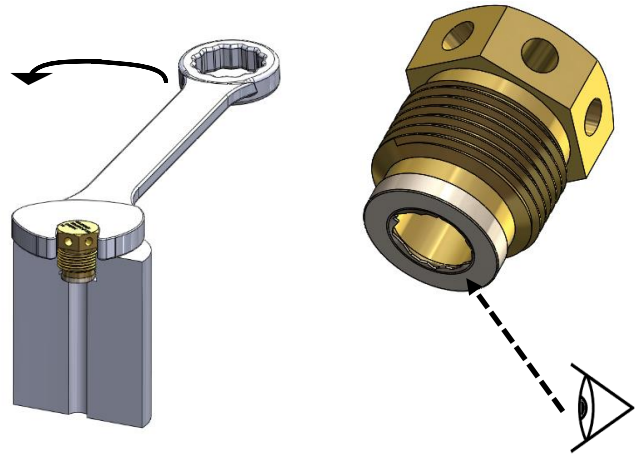
- Installation (GB)
- Installation (F)
- Einbauanleitung (D)
- Installazione (I)
- Instalatie (NL)
- Instalação (P)
- Instalacion (E)
- Installation (S)
- Установка (RUS)

OE2 Plugs

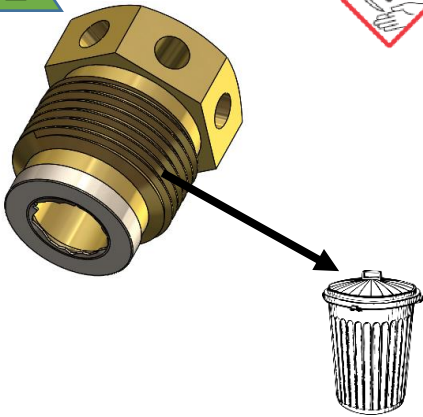
Elfab Limited
 Alder Road, North Shields, Tyne and Wear, NE298SD
 UNITED KINGDOM
 e-mail: sales@elfab.com http://www.elfab.com
 Tel: +44(0)1912931234

Elfab China Chinasales@elfab.com
 Elfab Poland Polandsales@elfab.com
 Elfab Singapore Singaporesales@elfab.com

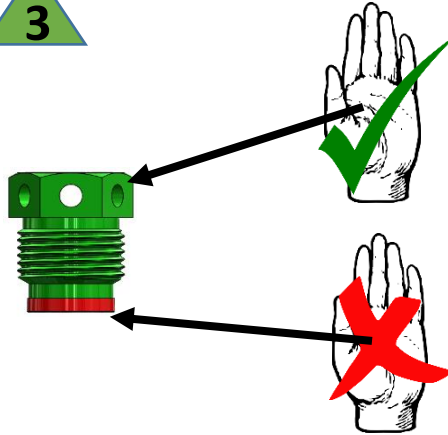
1



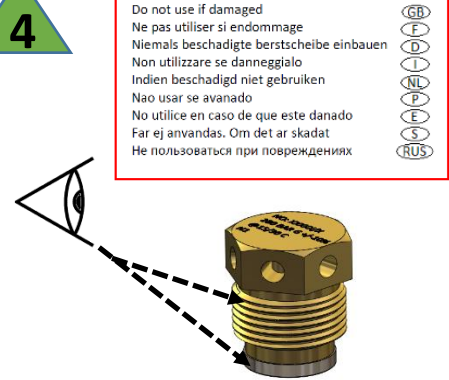
2



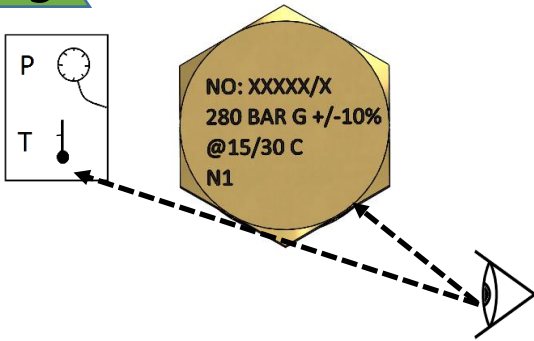
3



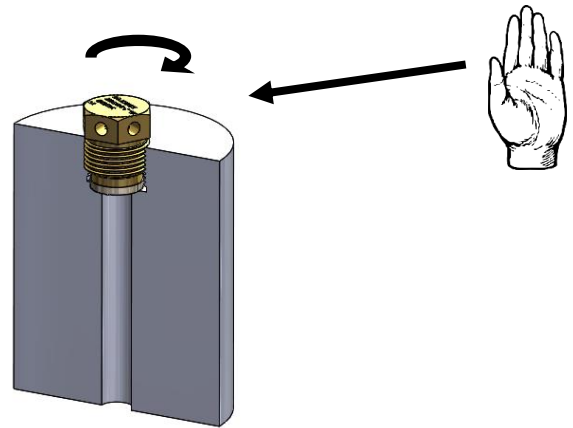
4



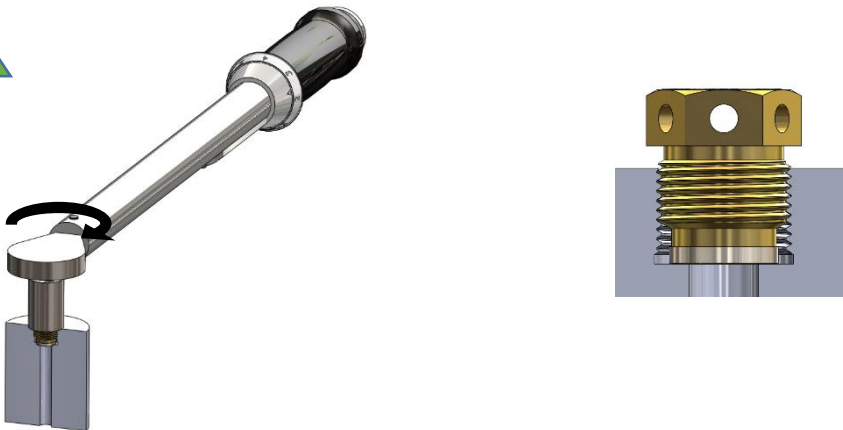
5



6



7



8

Maximum Torque Setting (Nm) (TYPICAL)	
Thread	Torque
M18 x 1	20

DRAWING NUMBER

00-00-09442

REVISION

0