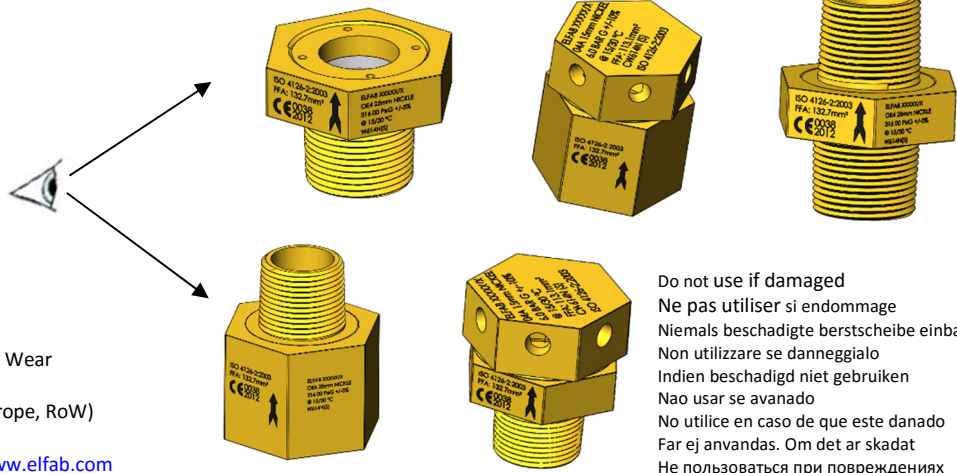


Installation Guide for O4A Brass Components

1 Inspect

Installation
 Installation
 Einbauanleitung
 Installazione
 Installatie
 Instalacao
 Instalacion
 Installation
 Установка

- (GB)
- (F)
- (D)
- (I)
- (NL)
- (P)
- (E)
- (S)
- (RUS)

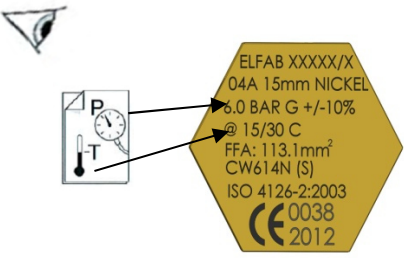


Do not use if damaged
 Ne pas utiliser si endommagé
 Niemals beschadigte berstscheibe einbauen
 Non utilizzare se danneggiato
 Indien beschadigd niet gebruiken
 Nao usar se avadado
 No utilice en caso de que este danado
 Far ej anvandas. Om det ar skadat
 Не пользоваться при повреждениях

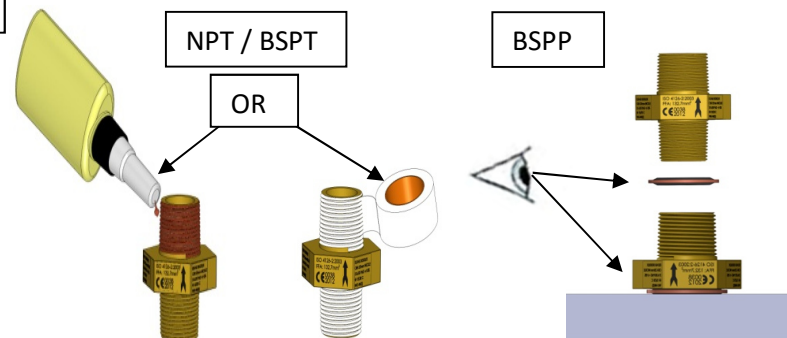
- (GB)
- (F)
- (D)
- (I)
- (NL)
- (P)
- (E)
- (S)
- (RUS)

ELFAB LIMITED
 Alder Road, North Shields, Tyne and Wear
 NE29 8SD, UNITED KINGDOM
 Free Phone: 00 800 88 22 88 00 (Europe, RoW)
 Toll Free (USA): (877) 88 222 880
 e-mail: sales@elfab.com - <http://www.elfab.com>

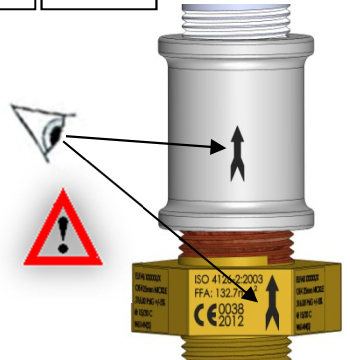
2 Inspect



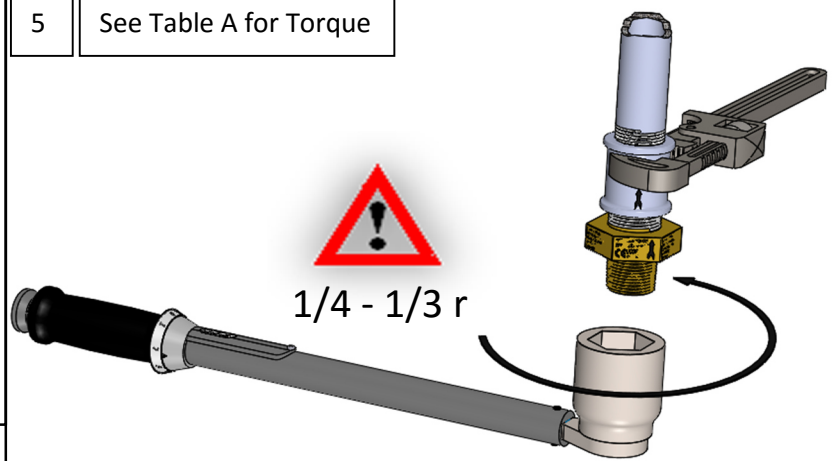
3



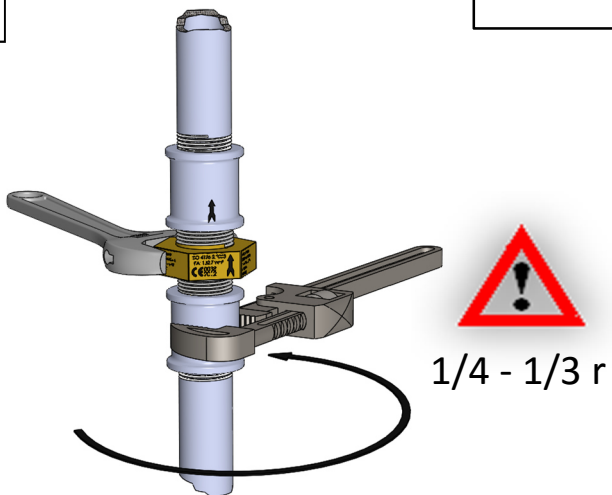
4 Check



5 See Table A for Torque



6



Thread Size	Torque (Nm)
1/8" (Inch)	20
1/4" (Inch)	30
3/8" (Inch)	40
1/2" (Inch)	50
3/4" (Inch)	60
1" (Inch)	70
1 1/4" up to 2" (Inch)	85