

CE 0038 [P>0.5Bar]

elfab pressure intelligence



Installation
Installation
Einbauanleitung
Installazione
Instalatie
Instalação
Instalacion
Installation
Установка

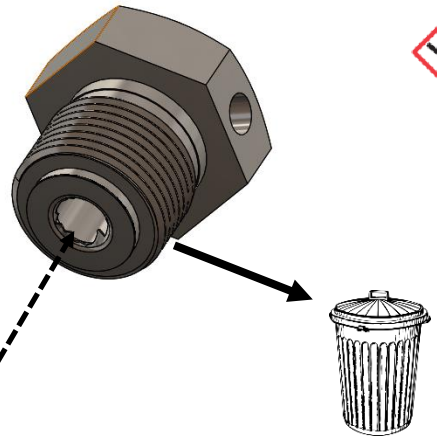
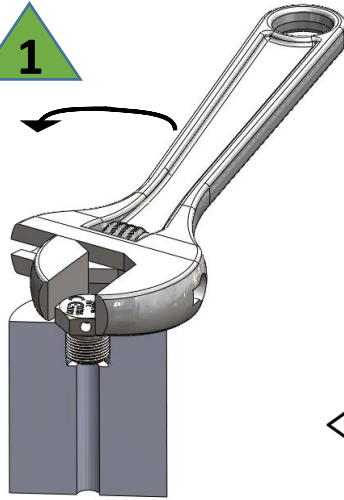
GB
F
D
I
NL
P
E
S
RUS

OE5 Plugs

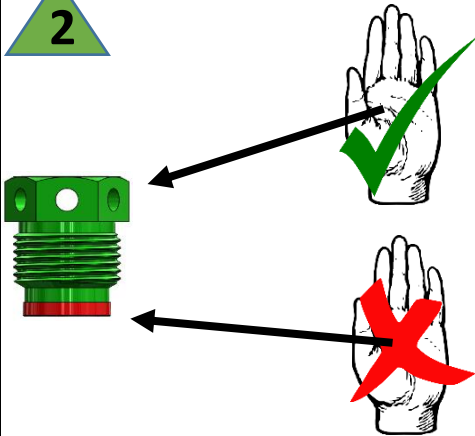
Elfab Limited
Alder Road, North Shields, Tyne and Wear, NE298SD
UNITED KINGDOM
e-mail: sales@elfab.com http://www.elfab.com
Tel: +44(0)1912931234

Elfab China Chinasales@elfab.com
Elfab Poland Polandsales@elfab.com
Elfab Singapore Singaporesales@elfab.com

1



2



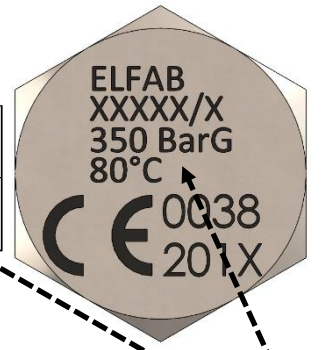
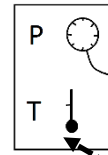
3

Do not use if damaged
Ne pas utiliser si endommagé
Niemals beschadigte berstscheibe einbauen
Non utilizzare se danneggiato
Indien beschadigd niet gebruiken
Nao usar se avanado
No utilice en caso de que este danado
Far ej anvandas. Om det ar skadat
Ne пользоваться при повреждениях

GB
F
D
I
NL
P
E
S
RUS

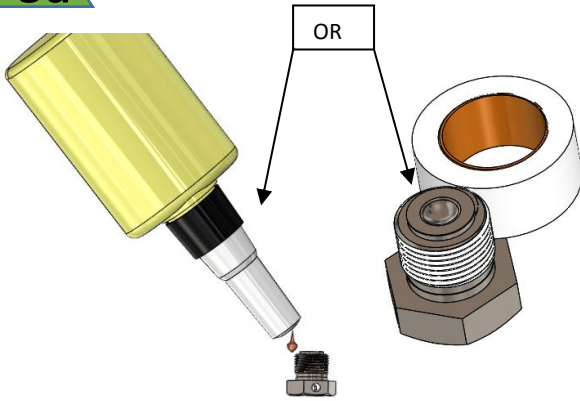


4



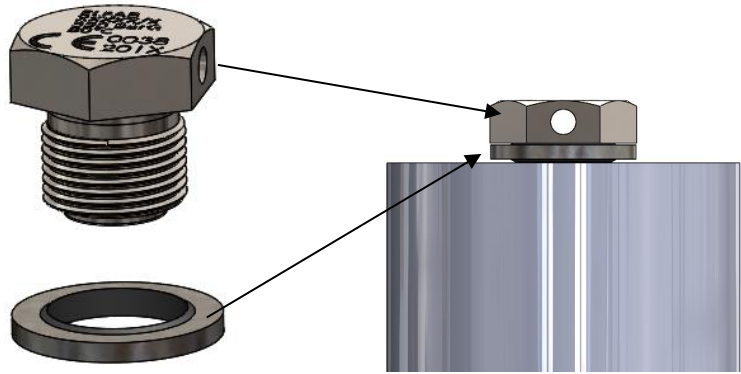
5a

BSPT/NPT

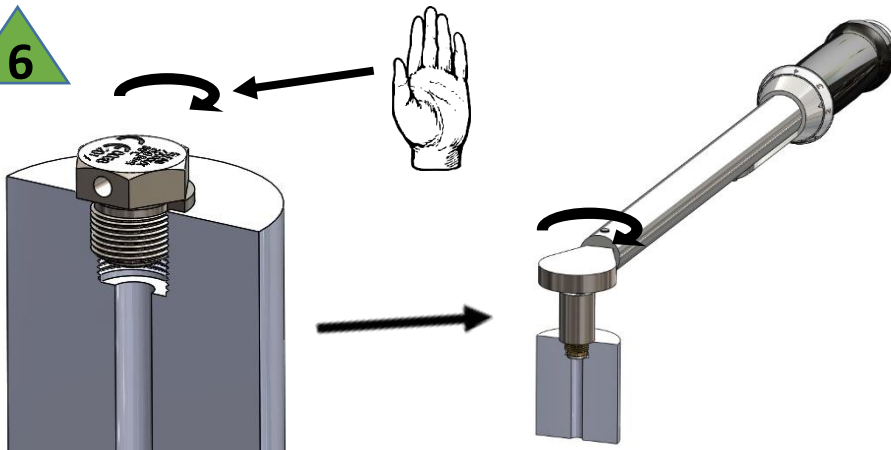


5b

BSPP/ISO METRIC



6



7

Maximum Torque Setting (Nm)
(TYPICAL)

Thread	Torque
ISO METRIC	20
1/4" (Inch)	30
3/8" (Inch)	40
1/2" (Inch)	50

DRAWING NUMBER

00-00-09445

REVISION

0